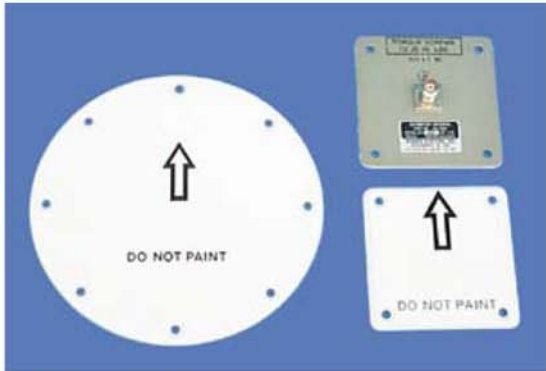


Altimeter S67-2002; -12; -14; -45

Flush Mount



U.S. Patent No. 4,460,894

DESCRIPTION

S67-2002: Flush mounted radio altimeter antenna designed to provide improved performance and reduced size and weight. Small size provides ease of mounting. Ideal for general aviation application.

NSN: 5985-01-159-9930. **NSN:** 5985-21-898-6153.

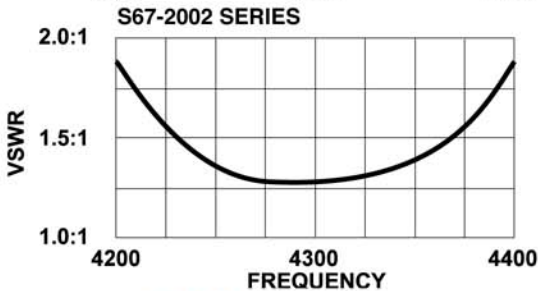
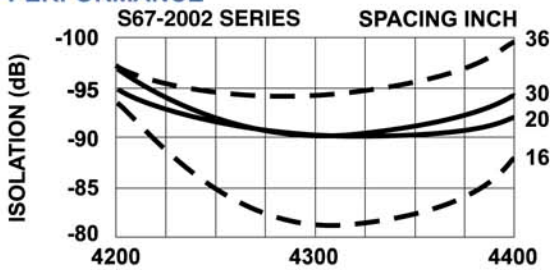
S67-2002-12: Same as S67-2002 except circular baseplate requires mounting with eight (8) screws. Compatible with 7-inch diameter horns.

S67-2002-14: Same as S67-2002 except for connector length of 1.0 inch. Raytheon application.

S67-2002-45: Same as S67-2002 except for metalized countersinks and conductor length of 1.4 inches. Embraer 170/190 application.

FEDERAL & MILITARY SPECS: FAA TSO C87, ARINC 707/552, DO-160, MIL-STD-810, MIL-A-9094, MIL-B-5087, MIL-E-5400.

PERFORMANCE



Sensor Systems, Inc.

8929 Fullbright Ave., Chatsworth, CA 91311

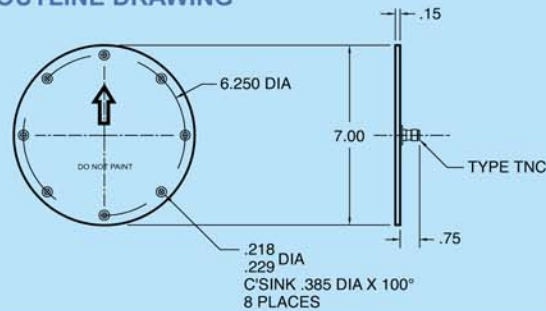
Ph: 818-341-5366 Fax: 818-341-9059

Email: info@SensorAntennas.com

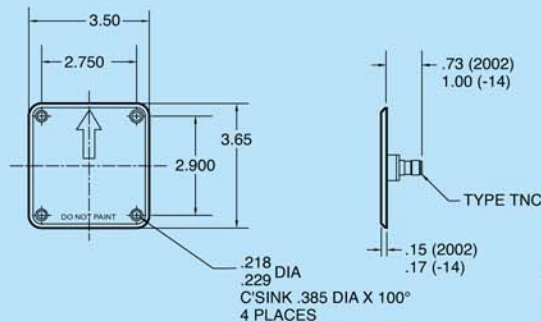
www.SensorAntennas.com

SPECIFICATIONS		ALTIMETER	
MODELS	S67-2002-12	S67-2002	S67-2002-14 S67-2002-45
ELECTRICAL			
Frequency	4200-4400 MHz		
VSWR	2.0:1 (4200-4400) 1.5:1 (4275-4325)		
Polarization	Linear		
Impedance	50 ohms		
Beam Width	Roll Plane (E) :45° min. Pitch Plane (H) :40° min.		
Power Handling	5 w/avg. 500 w/peak		
Side Lobe Level	-40 dB		
Gain	9.5 dBi		
Lightning Protection	DC grounded		
MECHANICAL			
Weight	8 oz.	3 oz. / 4 oz.(-14)	
Height	.15 in.	.15 in. / .17 (-14)	
Length	3.65 in.		
Width	3.50 in.		
Diameter	7.0 in.		
Material	6061-T6 aluminum / teflon glass		
Finish	Skydrol-resistant enamel		
Connector	TNC		
ENVIRONMENTAL			
Temperature	-65°F to +185°F		
Vibration	10 Gs		
Altitude	-1000 ft. to +45,000 ft.		
ISOLATION H-PLANE	16" 80 dB; 20" 88 dB; 30" 90 dB; 36" 95 dB		

OUTLINE DRAWING



S67-2002-12



S67-2002
S67-2002-14
S67-2002-45

ISO 9001:2000 and EN/JISQ/AS9100:2004 Registered