

Altimeter S67-2018; -2029



U.S. Patent No. 4,460,894

DESCRIPTION

S67-2018: Flush mounted Radio Altimeter Antenna with integrated band pass filter. Designed to provide improved performance by increasing harmonic rejection. Reduced size and weight provides ease of mounting. Smaller than existing horns; requires mounting with (8) 10-32 screws. Bolt pattern interchangeable with Honeywell LG81AK02. Designed for military aircraft.

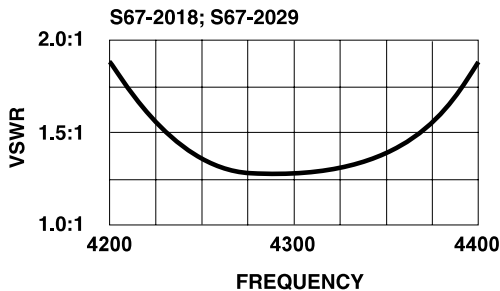
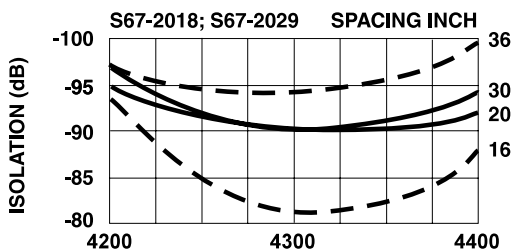
NSN: 5985-01-253-7584

S67-2029: Same as S67-2018 except 90° TNC connector. Height .115 inches. Interchangeable with Honeywell LG81AK01.

NSN: 5985-01-116-2110WF

FEDERAL & MILITARY SPECS: MIL-STD-810, MIL-A-9094, MIL-B-5087, MIL-E-5400.

PERFORMANCE



SPECIFICATIONS

ELECTRICAL

	S67-2018	S67-2029
Frequency	4200-4400 MHz	4200-4400 MHz
VSWR	2.0:1 (4200-4400 MHz) 1.5:1 (4275-4325 MHz)	2.0:1 (4200-4400 MHz) 1.5:1 (4275-4325 MHz)
Polarization	Linear	Linear
Impedance	50 ohms	50 ohms
Beam Width		
Roll Plane (E)	60° min.	56° min.
Pitch Plane (H)	50° min.	40° min.
Power Handling	5 w/avg. 1000 w/peak	5 w/avg. 1000 w/peak
Side Lobe Level	-40 dB	-40 dB
Gain	10 dBi	9.0 dBi
Lightning Protection	DC grounded	DC grounded

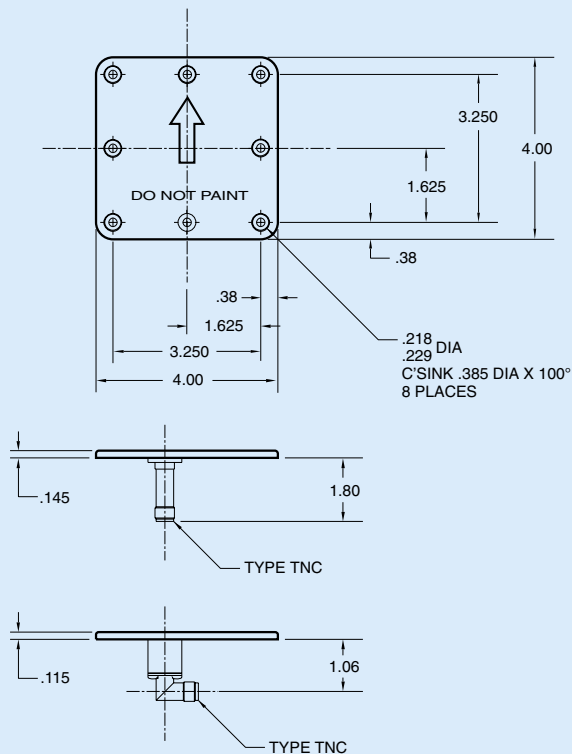
MECHANICAL

Weight	4 oz.
Height	0.145 in.
Length	4 in.
Width	4 in.
Material	6061-T6 aluminum / teflon glass
Finish	Skydrol resistant enamel
Connector	90° TNC

ENVIRONMENTAL

Temperature	-65°F to +185°F
Vibration	10 G's
Altitude	-1000 ft. to +72,000 ft.

OUTLINE DRAWING



S67-2018

S67-2029