

Glide Slope S41422-Series



DESCRIPTION

S41422: Dual-port Glide Slope. Provides greater forward gain, fault isolation network and high structural strength. Fiberglass radome bonded over alloy casting. Hermetically sealed. Interchangeable with other Glide Slopes; simplifies spares replacement. Certified for Category III aircraft. Interchangeable with Collins 37P-5. Boeing 727, 747, 757, 767, 777.

NSN: 5985-00-873-6662.

S41422-2: Dual port. Type "N" connectors. Lockheed L-1011, GIV, GV, Challenger, Regional Jet, Global Express.

NSN: 5985-01-137-0691.

S41422-5: Single port. Type "C" connector. Douglas DC 8/9/10.

NSN: 5985-00-589-2475.

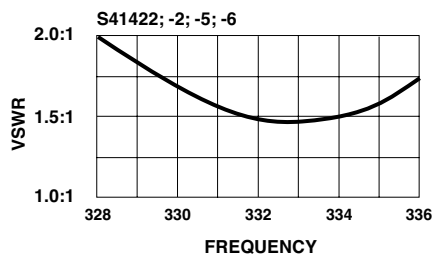
S41422-6: Same as (-5) except for type "N" connector. Douglas C-17.

FEDERAL & MILITARY SPECS: FAA TSO C34b, ARINC 519, MIL-STD-810, MIL-E-5400, BAC D-10-3064, D6-10853.

CONNECTOR CHART

MODEL	CONNECTOR	MODEL	CONNECTOR
S41422	C	S41422-5	C
S41422-2	N	S41422-6	N

PERFORMANCE



SPECIFICATIONS

GLIDE SLOPE

S41422	S41422-5
S41422-2	S41422-6

ELECTRICAL

Frequency	329-335 MHz
VSWR	2.0:1
Pattern	Cos/Az Cos/EI
Polarization	Linear (horizontal)
Impedance	50 ohms
Power	Receive only
Lightning Protection	DC grounded

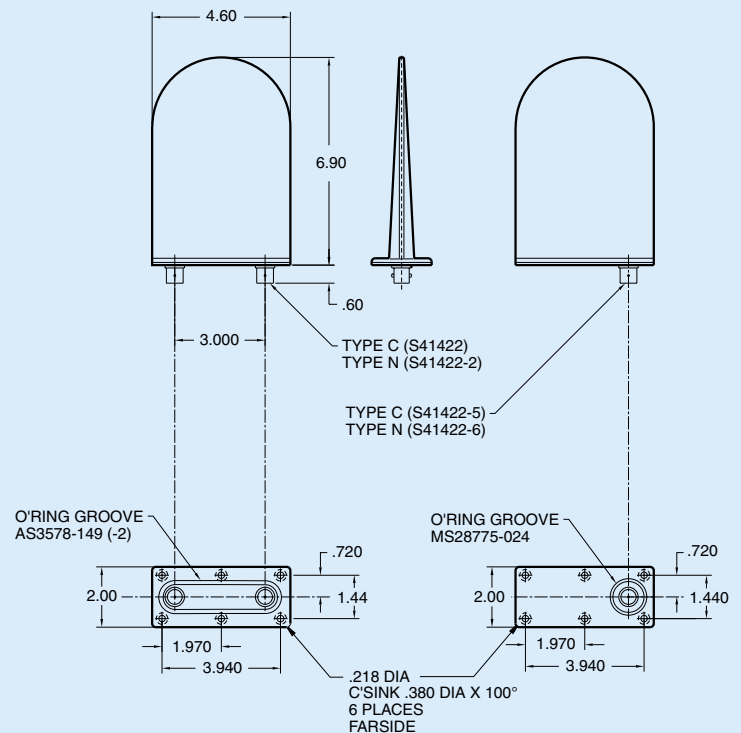
MECHANICAL

Weight	0.6 lb.
Height	6.9 in.
Material	A356-T61 aluminum /composite radome
Finish	Skydrol resistant enamel
Connector	See connector chart

ENVIRONMENTAL

Temperature	-65°F to +185°F
Vibration	10 G's
Altitude	80,000 ft.

OUTLINE DRAWING



S41422
S41422-2

S41422-5
S41422-6