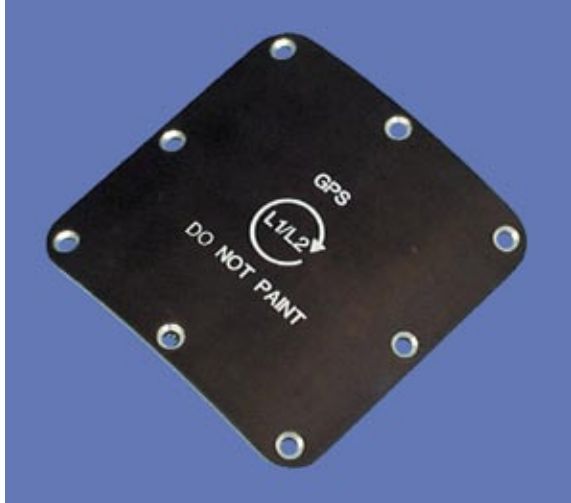


GPS S67-1575-200-Series



DESCRIPTION

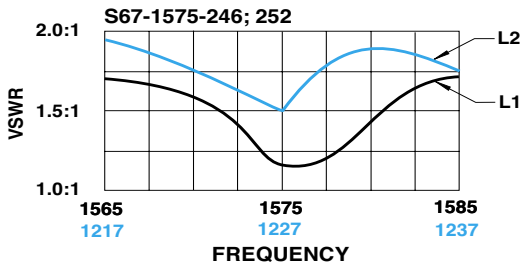
S67-1575-200 Series: Conformal GPS antenna series available in different electrical and mechanical configurations: passive, active (with preamplifier gain up to 40 dB), L1/L2 or L1 only and can be mounted on a wide range of surface configurations. Flush mounting provides no drag for airborne applications.

S67-1575-246: Conformal dual-band L1/L2 active GPS antenna covers 1575.42 ±10 MHz and 1227.42 ±10 MHz.

S67-1575-252: Conformal L1 only active GPS antenna covers 1575.42 ±2 MHz.

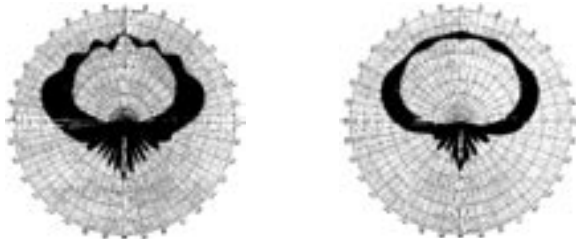
FEDERAL & MILITARY SPECS: DO-160, MIL-STD-810, MIL-C-5541, MIL-E-5400.

PERFORMANCE



1575 MHz
L1

1227 MHz
L2



RADIATION PATTERNS

Sensor Systems Inc.
8929 Fullbright Avenue
Chatsworth, CA 91311 USA
818-341-5366 fax: 818-341-9059
email: info@sensorantennas.com
www.sensorantennas.com

SPECIFICATIONS

	GPS	
	S67-1575-246	S67-1575-252
ELECTRICAL		
Frequency	1565-1585 MHz (L1) 1217-1237 MHz (L2)	1575.42 MHz (L1)
VSWR	2.0:1	2.0:1
Polarization	RHCP	RHCP
Impedance	50 ohms	50 ohms
Antenna Gain (Typ)	3 dBic @ Zenith	
Gain Coverage (min)	$0^\circ \leq \theta \leq 75^\circ$ -1.0 dBic $75^\circ < \theta \leq 80^\circ$ -2.5 dBic $80^\circ < \theta \leq 85^\circ$ -4.5 dBic $\theta = 90^\circ$ @ Horizon -7.5 dBic	
Gain (preamp)	26.0 dB	26.0 dB
Noise Figure	3.0 dB	3.0 dB
Power Handling	1 watt	1 watt
Voltage	+4 to 24 VDC	+4 to 24 VDC
Current	65 mA	65 mA
Lightning Protection	DC grounded	

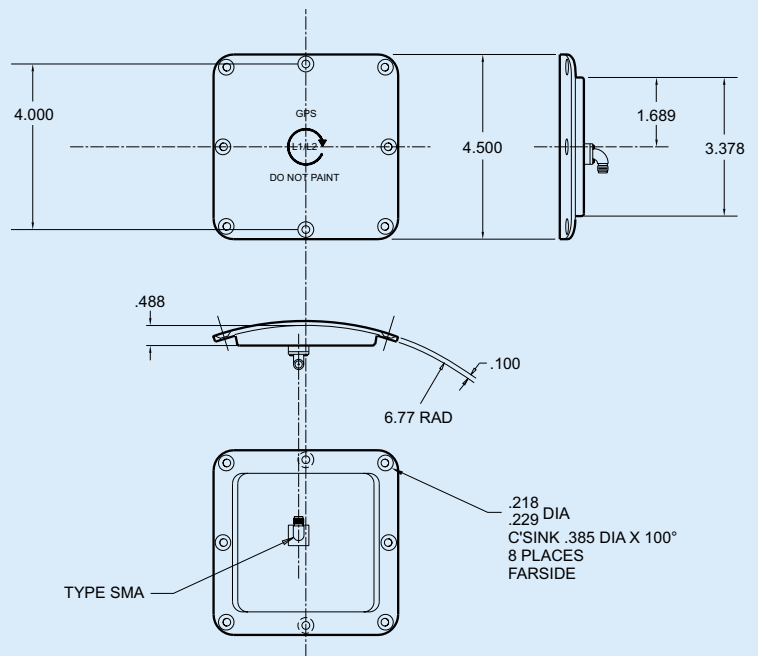
MECHANICAL

Weight	8 oz.
Width	4.50 in.
Length	4.50 in.
Material	6061-T6 aluminum / teflon glass
Finish	Iridite per AMS-C-5541
Connector	SMA (90° right angle)

ENVIRONMENTAL

Temperature	-80°F to +203°F
Vibration	10 G's
Altitude	77,000 ft.

OUTLINE DRAWING



S67-1575-246
S67-1575-252