

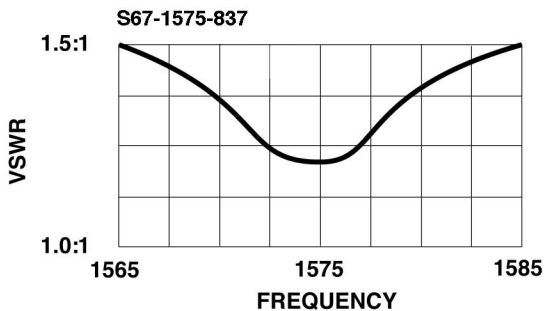


### DESCRIPTION

**S67-1575-837:** Active antenna, low profile, with advanced radome design and material, offers enhanced protection against rain, ice and lightning strikes. 29.5dB gain, low-noise, wide bandwidth with special filtering. Accepts 3.3 VDC and contains internal voltage regulator. DC bias is provided through coax connector. Hermetically sealed.

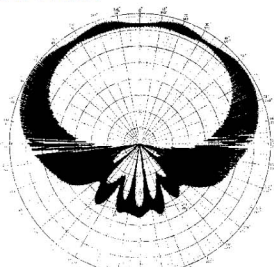
**FEDERAL & MILITARY SPECS:** ARINC 743A, DO-301 CHANGE 1, MIL-STD-810, MIL-DTL-5541, MIL-HDBK-5400.

### PERFORMANCE



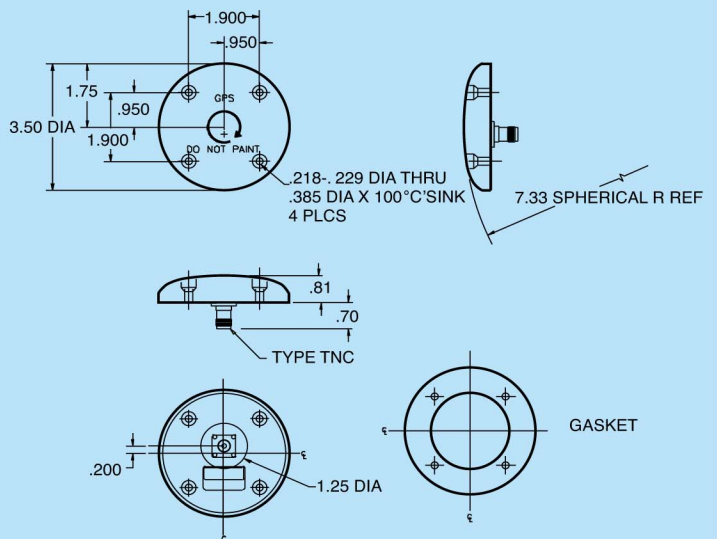
### RADIATION PATTERN

1575 MHz  
L1



SPECIFICATIONS	GPS
<b>MODEL</b>	S67-1575-837
<b>ELECTRICAL</b>	
Frequency	1575.42 ± 10.23 MHz
VSWR	≥ 1.5:1
Polarization	RHCP
Impedance	50 ohms
Antenna Gain (Typ)	3 dBic @ Zenith
Gain Coverage (min)	-1.0 dBic 0° ≤ θ ≤ 75° -2.5 dBic 75° < θ ≤ 80° -4.5 dBic 80° < θ ≤ 85° -7.5 dBic θ = 90° @ Horizon
Gain (preamp)	29.5 ± 3dB
GT	-31.6 dB/k
Differential Group Delay	<25nS
Power Handling	1watt
Voltage	3.3 VDC
Current	<50 mA
Lightning Protection	DC grounded
<b>MECHANICAL</b>	
Weight	8 oz.
Height	.81 in.
Diameter.	3.50 in.
Material	6061-T6 aluminum / thermoset plastic
Finish	Skydrol-resistant enamel
Connector	TNC
<b>ENVIRONMENTAL</b>	
Temperature	-67°F to +158°F
Vibration	10 Gs
Altitude	-100 TO 55,000 ft

### OUTLINE DRAWING



S67-1575-837

