

# L-Band S65-5366-252L

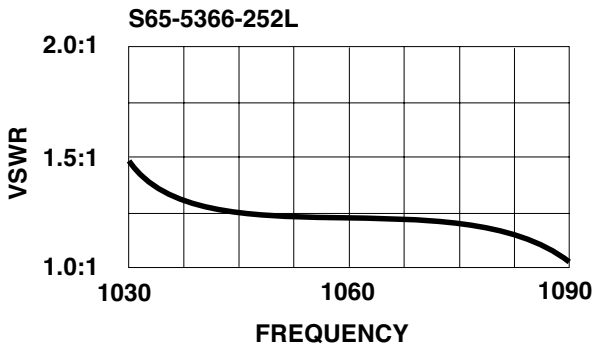


## DESCRIPTION

**S65-5366-252L:** Conformal antenna series available in different electrical and mechanical configurations. It can be mounted on a wide range of surface configurations. Flush mounting provides no drag for airborne applications. Designed for use with IFF, DME and Transponder applications in missiles and target drones.

**FEDERAL & MILITARY SPECS:** DO-160, MIL-STD-810, MIL-C-5541, MIL-E-5400.

## PERFORMANCE



## SPECIFICATIONS

### L-BAND

#### S65-5366-252L

### ELECTRICAL

Frequency .....	1030 ±1.5MHz
	1090 ±3MHz
VSWR .....	≤ 1.5:1
Polarization .....	RHCP
Impedance .....	50 ohms
Antenna Gain (Typ) .....	1 dBic @ Zenith
Gain Coverage (min) ...	1.0 dBic 0° = θ
	-1.0 dBic 0° ≤ θ ≤ 75°
	-2.5 dBic 75° < θ ≤ 80°
	-4.5 dBic 80° < θ ≤ 85°
	-7.5 dBic θ = 90° @ Horizon

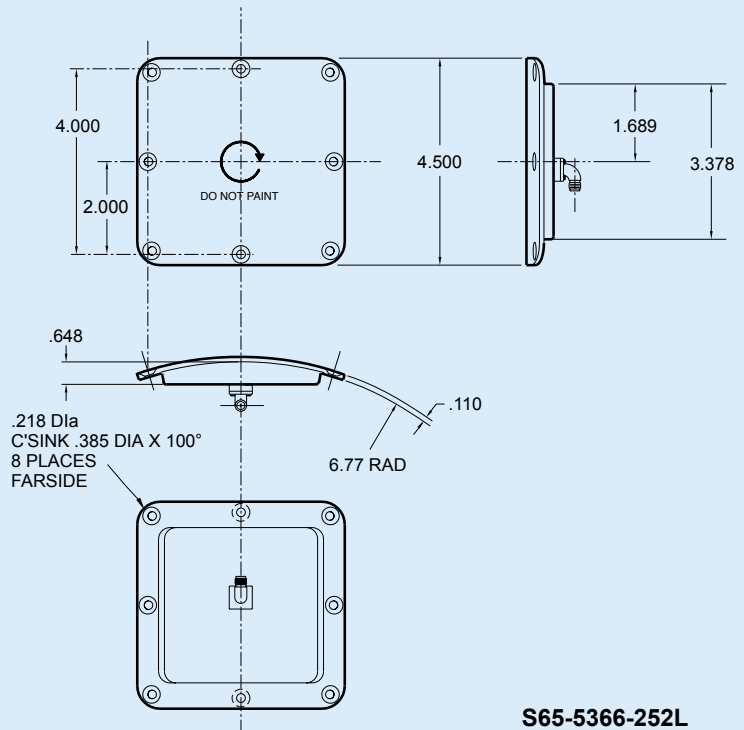
### MECHANICAL

Weight .....	8 oz.
Length .....	4.50 in.
Width .....	4.50 in.
Material .....	6061-T6 aluminum / teflon
Finish .....	Iridite per AMS-C5541
Connector .....	"SMA" FEMALE

### ENVIRONMENTAL

Temperature .....	-80°F to +203°F
Vibration .....	10 G's
Altitude .....	70,000 ft.

## OUTLINE DRAWING



S65-5366-252L



8929 Fullbright Avenue  
 Chatsworth, CA 91311 USA  
 818-341-5366 fax: 818-341-9059  
 email: info@sensorantennas.com  
 www.sensorantennas.com