

L-Band S65-5366-Series



U.S. Patent No. 3,220,006

DESCRIPTION

S65-5366-7L: Rugged, high-efficiency, all metal aluminum casting. DC grounded. Hermetically sealed. For use with transponder, DME, ATC, IFF, and Mode-S application. For commercial, military and general aviation aircraft.

NSN: 5985-01-072-8282.

S65-5366-3L: Same as (-7L) except for TNC connector and no O'Ring.

NSN: 5985-01-540-3340

S65-5366-2L; -10L; -10LC; -11L: Same as (-7L) except for connectors. See connector chart below.

NSN: 5985-01-141-6801 (-2L)

NSN: 5985-01-248-9438 (-10L)

NSN: 5985-01-195-3041 (-11L)

NSN: 5985-01-512-5297 (-11L Gray)

S65-5366-66L: Same as -7L with right angle SMA connector.

S65-5366-8L; -116L; -119L: Same as (-7L) except for stainless steel casting and 9 oz. weight. See connector chart. Ideal for unimproved runways.

NSN: 5985-01-430-4939 (-8L)

NSN: 5985-01-556-0820 (-116L)

FEDERAL & MILITARY SPECS: FAATSO C66b, C74c and C112. MIL-STD-810, MIL-E-5400, MIL-A-25708, MIL-A-25730, MIL-A-9094, MIL-B-5087, MIL-A-7772.

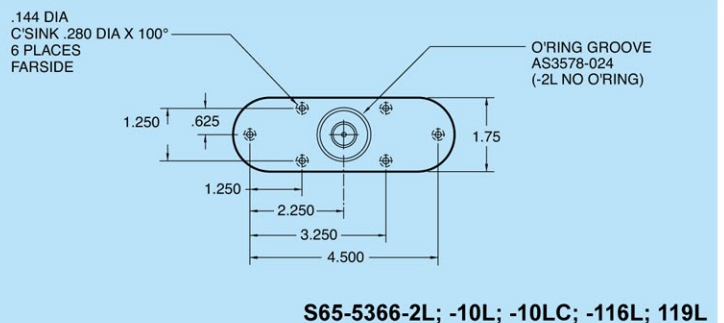
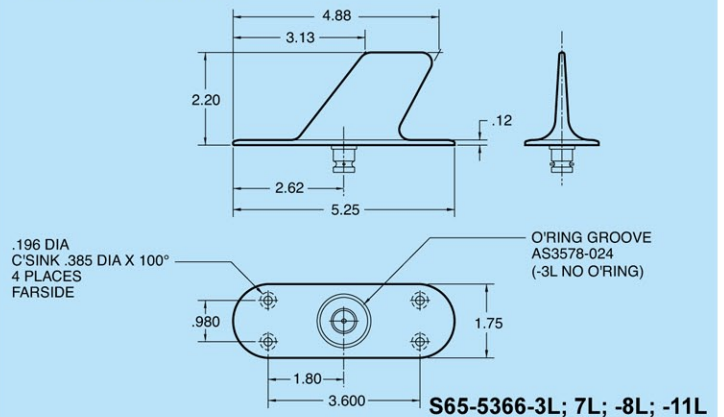
CONNECTOR CHART

MODEL	CONNECTOR	MODEL	CONNECTOR
2L	HN	11L	N
3L	TNC	66L	SMA Rt Angle
7L	C	116L	N
8L	C	119L	N
10L	N		
10LC	C		



SPECIFICATIONS	FOR REFERENCE ONLY
MODELS	S65-5366-2L; S65-5366-3L; S65-5366-7L; S65-5366-8L; S65-5366-10L; S65-5366-10LC; S65-5366-11L; S65-5366-66L; S65-5366-116L; S65-5366-119L
ELECTRICAL	
Frequency	960-1220 MHz
VSWR	1.4:1 (1000-1100)
	1.7:1 (960-1220)
Pattern	Omni/Az
	Cos/EI
Polarization	Vertical
Impedance	50 ohms
Power	4000 w/pk 100 w/cont
Lightning Protection	DC grounded
MECHANICAL	
Weight	4 oz.
	9 oz. (-8L; -116L; -119L)
Height	2.2 in.
Material	A356-T61 aluminum casting
	SS casting (-8L; -116L; -119L)
Finish	Skydrol-resistant enamel
Connector	See connector chart
Drag	1 oz. Mach .85 @ 35,000 ft.
ENVIRONMENTAL	
Temperature	-65°F to +185°F
Vibration	10 Gs
Altitude	70,000 ft.

OUTLINE DRAWING



Sensor Systems, Inc.
 8929 Fullbright Ave., Chatsworth, CA 91311
 Ph: 818-341-5366 Fax: 818-341-9059
 Email: info@sensorantennas.com
 www.sensorantennas.com