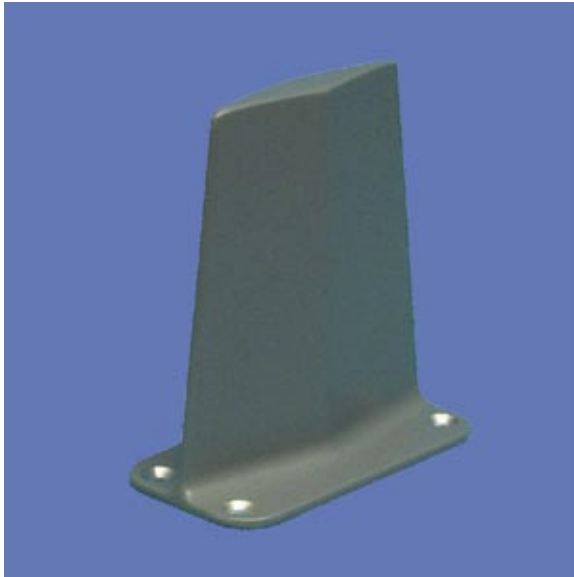


L-Band S65-625201 Series



DESCRIPTION

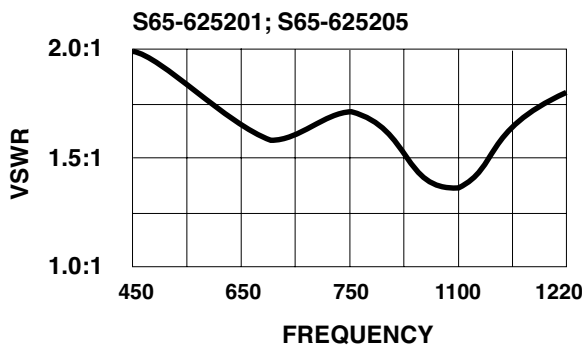
S65-625201: Aluminum die casting, DC grounded for lightning protection. Specially designed for broadband frequencies 600-1100 MHz at better than 2.0:1 VSWR. Constructed to withstand high side loading with low drag. Hermetically sealed to provide long service life. Designed for IFF or TACAN. Reference Magnavox P/N 709275-1.

NSN: 5985-00-089-5143.

S65-625205: Same as S65-625201 except for frequency range of 500-1000 MHz. Use with spacer P/N S65-625255. Application PC3.

FEDERAL & MILITARY SPECS: MIL-STD-810, MIL-E-5400, MIL-A-7772, MIL-A-9094, MIL-B-5087.

PERFORMANCE

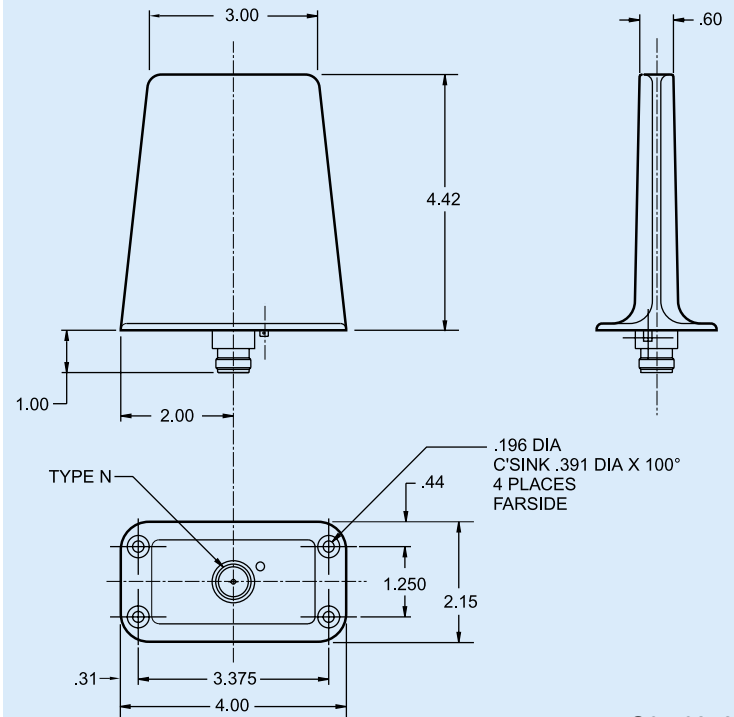


Sensor Systems Inc.
 8929 Fullbright Avenue
 Chatsworth, CA 91311 USA
 818-341-5366 fax: 818-341-9059
 email: info@sensorantennas.com
 www.sensorantennas.com

SPECIFICATIONS

	L-BAND	
	S65-625201	S65-625205
ELECTRICAL		
Frequency	600-1100 MHz	500-1000 MHz
VSWR	2.0:1	2.0:1
Pattern	Omni/Az Cos/EI	Omni/Az Cos/EI
Polarization	Vertical	Vertical
Impedance	50 ohms	50 ohms
Power	4000 w/pk 8 w/avg	4000 w/pk 8 w/avg
Lightning Protection	DC grounded	
MECHANICAL		
Weight	13 oz.	
Height	4.42 in.	
Material	A380 aluminum casting	
Finish	Skydrol resistant enamel	
Connector	N	
Drag	2 oz. Mach .85 @35,000 ft.	
ENVIRONMENTAL		
Side Load	8 psi	
Temperature	-65°F to +100°F	
Vibration	10 G's	
Altitude	50,000 ft.	

OUTLINE DRAWING



S65-625201
S65-625205