



VHF/UHF/L-BAND S65-8282-423

JTRS SRW, IFF TACAN
AMF-SA Link 16, TTNT



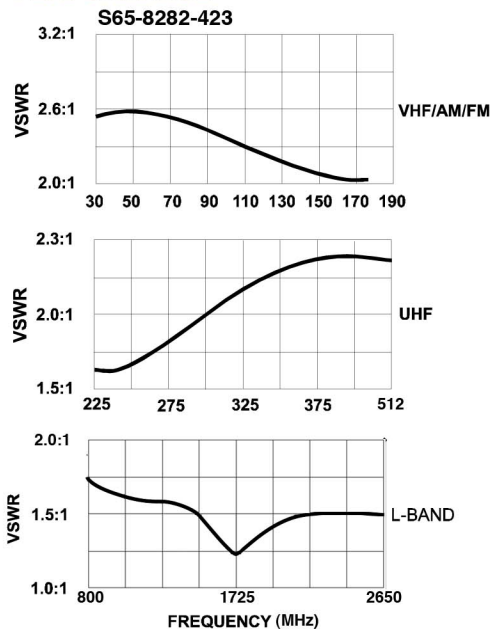
DESCRIPTION

S65-8282-423: VHF/UHF/L-band antenna for fast aircraft, supporting speeds up to Mach 1.0. VHF/UHF bandwidth covers frequencies from 30 to 512 MHz and L-band from 800 to 2650 MHz. L-band section supports Quad GSM, 802.11b/g, Link 16, TTNT and IFF TACAN as well as JTRS SRW, AMF-SA. DC-grounded and hermetically sealed. Baseplate features a six-hole bolt pattern interchangeable with Collins 37R-2U antennas.

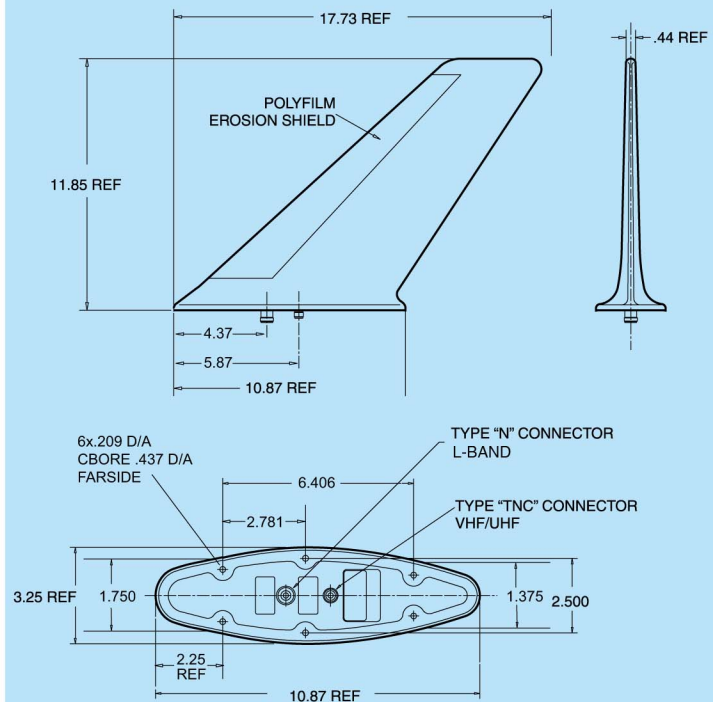
SPECIFICATIONS	VHF/FM	VHF/AM	UHF	L-BAND
MODEL	S65-8282-423			
ELECTRICAL				
Frequency	30-88 MHz	108-174 MHz	225-512 MHz	800-2650 MHz
VSWR	2.6:1	2.3:1		2.0:1
Pattern	Omni/Az; Cos/EI			
Polarization	Vertical			
Impedance	50 ohms			
Power	100 watts			50 watts 1000 w/pk
Lightning Protection	DC grounded			
MECHANICAL				
Weight	2.5 lbs.			
Height	11.85 in.			
Material	Polyfilm / AL-A356-T61 / glass			
Finish	Skydrol-resistant enamel			
Connector	TNC			N
Drag	1.0 lb. Mach .85 @ 35,000 ft.			
ENVIRONMENTAL				
Side Load	6 psi			
Temperature	- 67° F to +185 ° F			
Vibration	10 Gs			
Altitude	60,000 ft.			

FEDERAL & MILITARY SPECS: DO-160A, MIL-A-7772, MIL-E-5400, MIL-E-5272.

PERFORMANCE



OUTLINE DRAWING



S65-8282-423



Sensor Systems, Inc.
8929 Fullbright Ave., Chatsworth, CA 91311
Ph: 818-341-5366 Fax: 818-341-9059
Email: info@SensorAntennas.com
www.SensorAntennas.com

ISO 9001:2000 and EN/JISQ/AS9100:2004 Registered