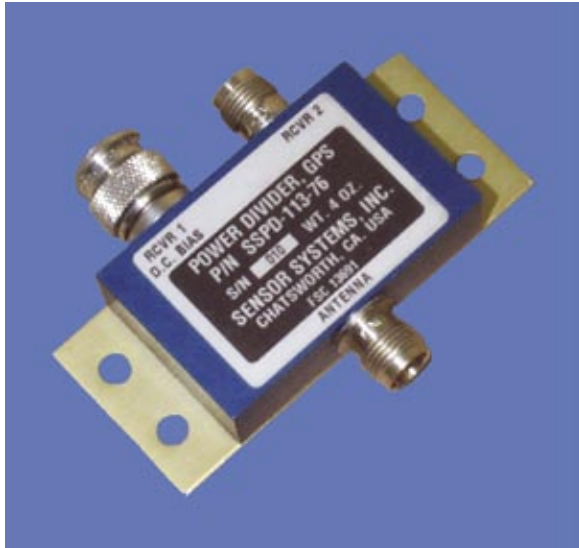


Power Divider SSPD-113-76



DESCRIPTION

SSPD-113-76: Equal-power divider for L1 and/or L2 GPS applications. Used with an active or passive antenna. This power divider allows GPS users to connect a single GPS antenna to dual GPS receivers for redundancy needs. In case of utilizing an active GPS antenna, this GPS power divider blocks the DC bias coming through RCVR.2 port and passes the DC bias coming through RCVR.1 port.

FEDERAL & MILITARY SPECS: MIL-E-5400, MIL-STD-810, MIL-STD-810C.

SPECIFICATIONS

GPS SSPD-113-76

ELECTRICAL

Frequency	1227±10 MHz
	1575±10 MHz
VSWR	1.5:1
Impedance	50 ohms
Power Division	3.0±0.5dB
Power	25 Watts CW

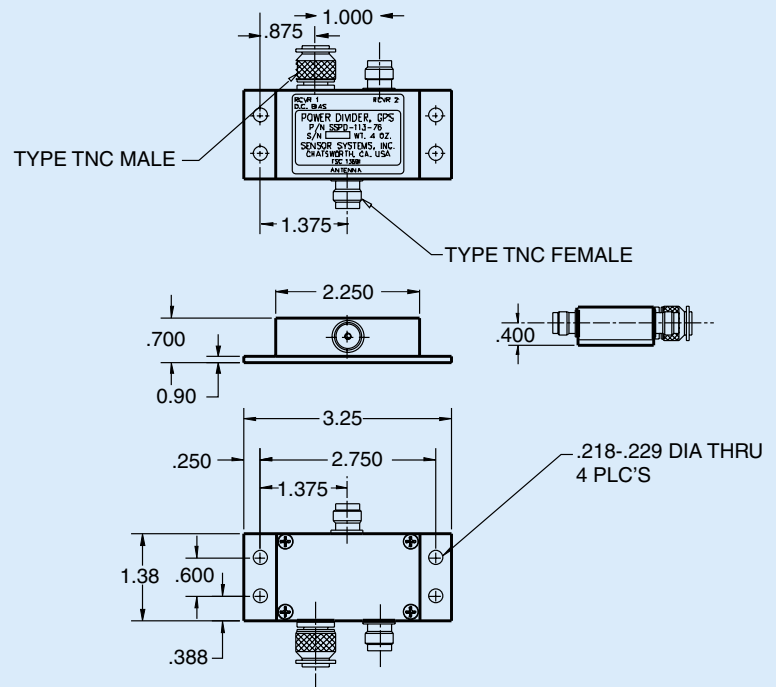
MECHANICAL

Weight	4 oz.
Dimensions	Height 0.70 in. max.
	Length 3.25 in.
	Width 1.38 in.
Finish	Blue Anodize Type II
Material	6061-T6 Alum Alloy
Connector	Two (2) "TNC" Female
	One (1) "TNC" Male

ENVIRONMENTAL

Temperature	-65°F to +185°F
Altitude	Sea Level to 60,000 ft.
Shock	15 G's
Vibration	10 G's

OUTLINE DRAWING



SSPD-113-76



8929 Fullbright Avenue
 Chatsworth, CA 91311 USA
 818-341-5366 fax: 818-341-9059
 email: info@sensorantennas.com
 www.sensorantennas.com