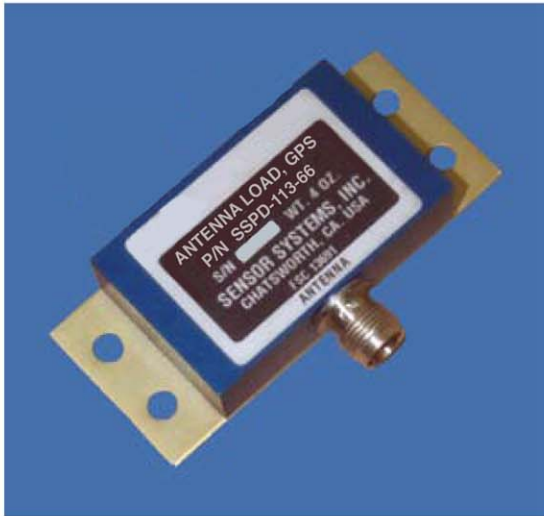


# GPS Antenna Load SSPD-113-66



## DESCRIPTION

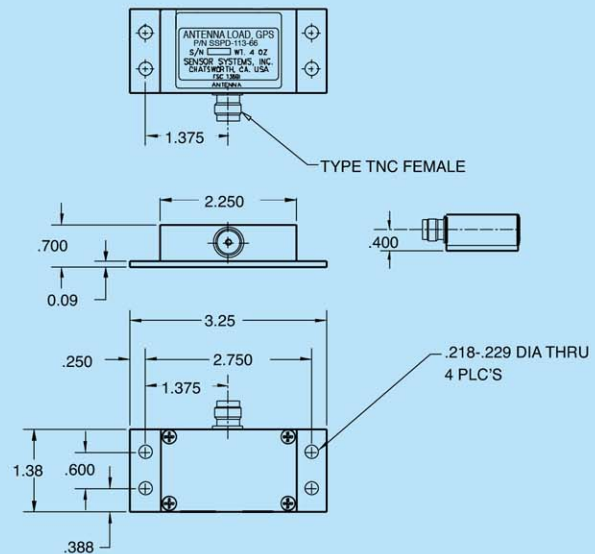
**SSPD-113-66:** GPS Antenna Load. Attaches to GPS port of center MMR to simulate GPS antenna installation; for usage when GPS antenna is not required.

Eliminates "GPS Antenna Fault" error.

**FEDERAL & MILITARY SPECS:** MIL-E-5400, MIL-STD-810.

SPECIFICATIONS	
<b>MODEL</b>	<b>SSPD-113-66</b>
<b>ELECTRICAL</b>	
<b>Frequency</b>	1575±10 MHz
<b>VSWR</b>	1.5:1
<b>Impedance</b>	50 ohms
<b>Current DC</b>	55 Milli-ohms Nominal
<b>MECHANICAL</b>	
<b>Weight</b>	4 oz.
<b>Dimensions</b>	Height: 0.70 in. max. Length: 3.25 in. Width: 1.38 in.
<b>Finish</b>	Blue Anodize Type II
<b>Material</b>	6061-T6 Alum Alloy
<b>Connector</b>	TNC Female
<b>ENVIRONMENTAL</b>	
<b>Temperature</b>	-67°F to +185°F
<b>Altitude</b>	Sea Level to 50,000 ft.
<b>Shock</b>	15 Gs
<b>Vibration</b>	10 Gs

## OUTLINE DRAWING



**Sensor Systems, Inc.**  
8929 Fullbright Ave., Chatsworth, CA 91311  
Ph: 818-341-5366 Fax: 818-341-9059  
Email: info@SensorAntennas.com  
www.SensorAntennas.com

ISO 9001:2000 and EN/JISQ/AS9100:2004 Registered