



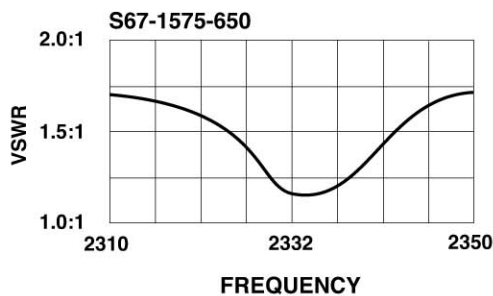
DESCRIPTION

S67-1575-650: Active antenna designed for use with Sirius radio receivers; providing aviation, weather, and cabin entertainment services. Designed to mitigate reflected frequencies at the horizon. Integrated 29 dB amplifier with TNC connector.

Mechanical configuration consists of a machined aluminum base with a spherical radius. Radome design and materials provide enhanced protection against rain, ice, and lightning strikes. 3½ inch diameter, 1¼ inch height.

FEDERAL & MILITARY SPECS: D0-160C and E, MIL-STD-810, TSO-C157.

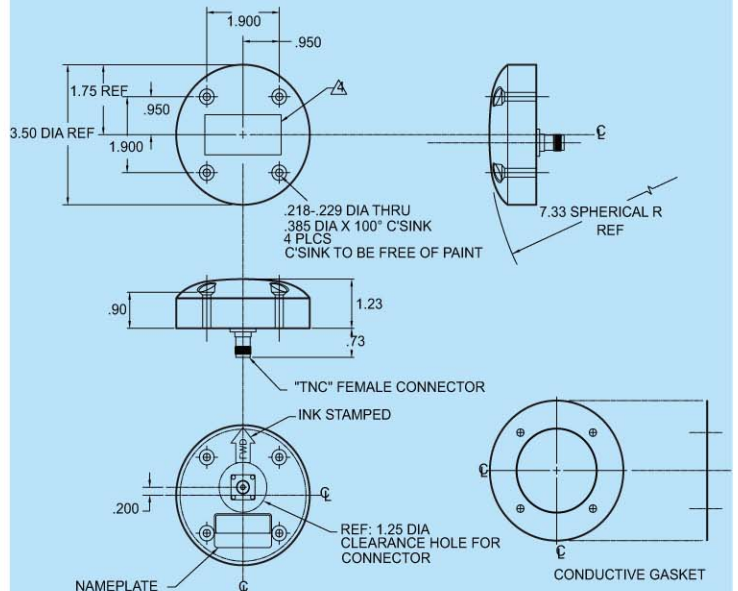
PERFORMANCE



Sensor Systems, Inc.
8929 Fullbright Ave., Chatsworth, CA 91311
Ph: 818-341-5366 Fax: 818-341-9059
Email: info@SensorAntennas.com
www.SensorAntennas.com

SPECIFICATIONS	FIS-B / SIRIUS
MODEL	S67-1575-650
ELECTRICAL	
Frequency	2326 ±7 MHz
VSWR	<2.0:1
Polarization	LHCP
Impedance	50 OHMS
Axial Ratio	<3 dB @ Zenith
Power Handling	100 mW (+20 dBm)
Gain	-4.5 dBic 0 = 30° -10.5 dBic 0 = 10° -14.8 dBic 0 = 0° (@ Horizon)
Gain (Preamplifier)	29.5 ±3 dB
Supply Voltage	+3.3 TO +28 VDC @ 45 mA Max
MECHANICAL	
Weight	9 oz.
Height	1.23 in.
Diameter	3.50 in.
Material	6061-T6 aluminum
Finish	Skydrol-resistant enamel
Connectors	TNC Female
ENVIRONMENTAL	
Temperature	-55°C (-67°F) TO +85°C (+185°F)
Vibration	10 Gs
Altitude	-100 to 55,000 ft

OUTLINE DRAWING



S67-1575-650