

Satcom S65-8282-113



DESCRIPTION

S67-8282-113: Multi-element array Satcom antenna designed for INMARSAT Portable M service. Antenna gain and beamwidth provide excellent performance for manually aimed systems. Unit is a sealed assembly capable of operating in rain and high humidity. Application suitcase Portable M systems. INMARSAT approved.

DESIGNED TO: INMARSAT-M

SPECIFICATIONS

**SATCOM
S67-8282-113**

ELECTRICAL

Frequency	
Receive.....	1525.0-1559.0MHz
Transmit.....	1626.5-1660.5 MHz
VSWR	1.5:1
Polarization	RHCP
Impedance	50 ohms
Power Handling	100 watts CW
Gain	14 dBic
Lightning Protection ...	DC grounded

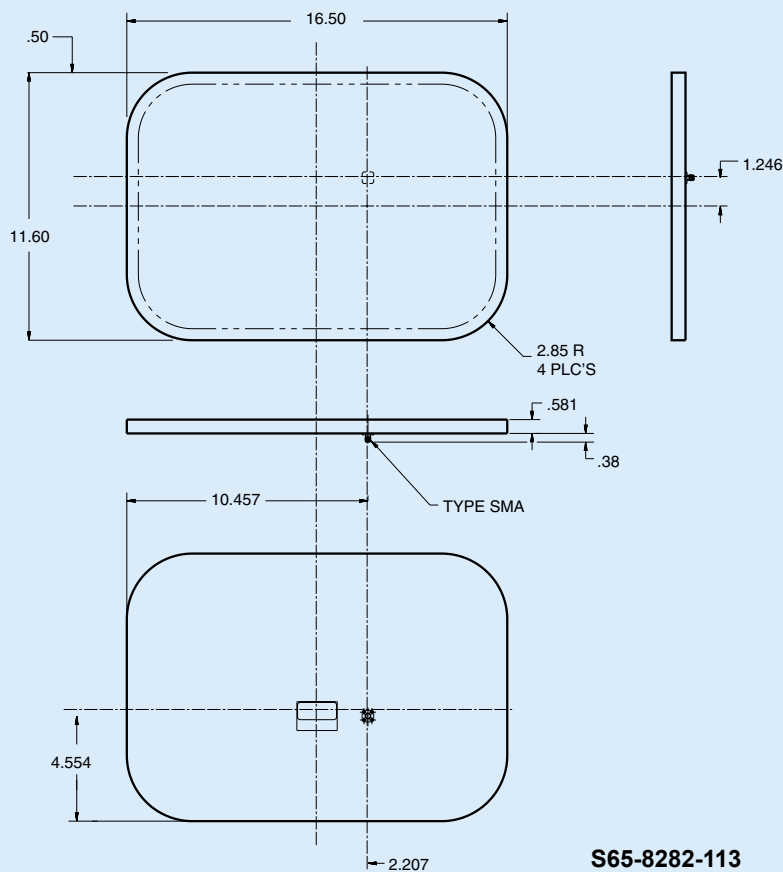
MECHANICAL

Weight	2 lbs.
Height60 in.
Material	6061-T6 aluminum / glass
Finish	Skydrol resistant enamel
Connectors	SMA

ENVIRONMENTAL

Temperature	-67°F to +185°F
--------------------------	-----------------

OUTLINE DRAWING



S65-8282-113