

TCAS I S72-1744; S72-1746



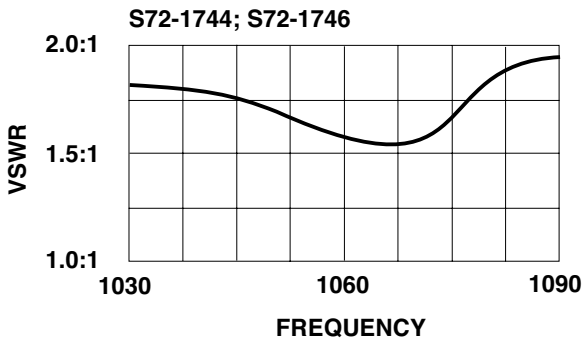
DESCRIPTION

S72-1744: Traffic Collision Avoidance System I (TCAS I). Low profile, teardrop radome with leading edge shield for longer life. Provides lightning strike protection. Directional pattern, four (4) element array antenna. Integrated Sum and Difference output capability. Applicable for high speed aircraft.

S72-1746: Traffic Avoidance System (TAS). Low profile, teardrop radome with leading edge shield for longer life. Provides lightning strike protection. Directional pattern, four (4) element array antenna. Integrated sum and difference output capability. Applicable for general aviation aircraft. Available with Goodrich "Skywatch" system.

FEDERAL & MILITARY SPECS: FAA TSO C118, DO-160, DO-197, MIL-C-5541, MIL-STD-454.

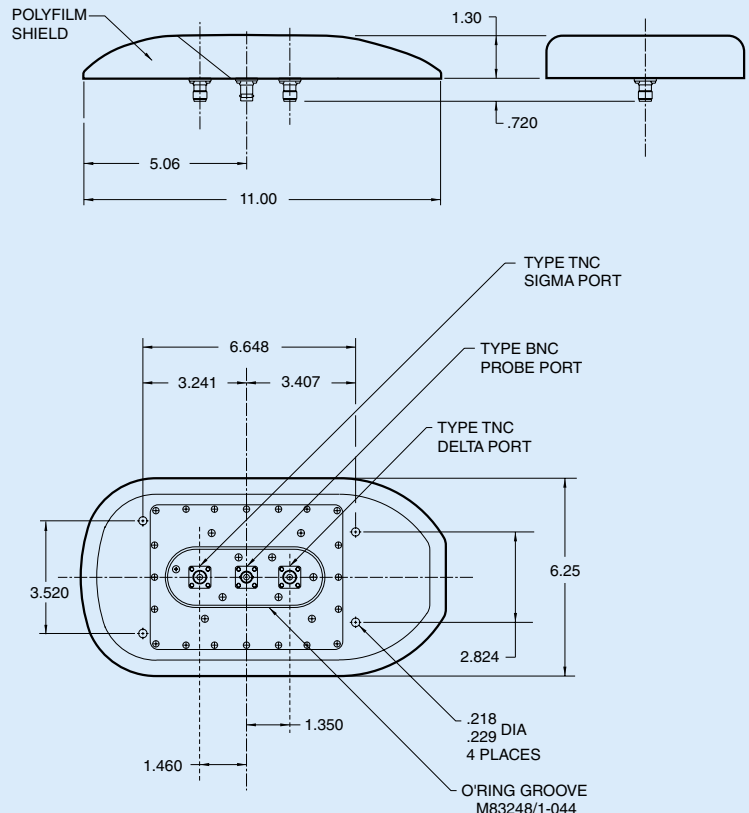
PERFORMANCE



SPECIFICATIONS

	S72-1744	TCAS I	S72-1746
ELECTRICAL			
Frequency	1030 MHz		1030 MHz
	1090 MHz		1090 MHz
VSWR	2.0:1 (1030 MHz)		2.0:1 (1030 MHz)
	2.3:1 (1090 MHz)		2.3:1 (1090 MHz)
Impedance	50 ohms		50 ohms
Power	10 watts		10 watts
Delta/Sigma	1000 w/peak		1000 w/peak
	Transmit/Rec		Transmit/Rec
Bit Probe	10 watts		10 watts
MECHANICAL			
Weight		2.3 lbs.	
Height		1.30 in.	
Material	6061-T6 aluminum / thermoset plastic		
Finish	Skydrol resistant enamel		
Connector	TNC (Delta / Sigma Port)		
	BNC (Probe Port)		
ENVIRONMENTAL			
Temperature		-67°F to +185°F	
Vibration		10 G's	
Altitude		55,000 ft.	

OUTLINE DRAWING



S72-1744
S72-1746



8929 Fullbright Avenue
Chatsworth, CA 91311 USA
818-341-5366 fax: 818-341-9059
email: info@sensorantennas.com
www.sensorantennas.com