



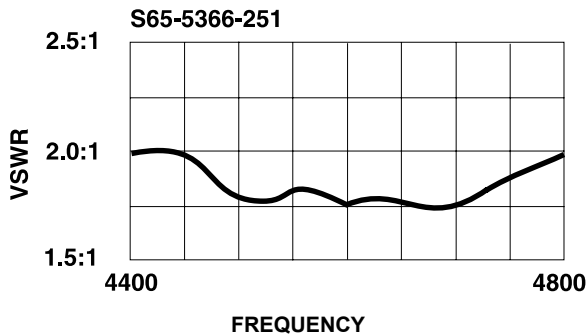
C-Band S65-5366-251



DESCRIPTION

S65-5366-251: Designed for telemetry and beacon missile and target drone applications this conformal C-band Command and Control antenna was developed for the Navy and is currently operational on several aerial targets. Antenna provides omnidirectional coverage with a minimum gain of +1 dBic at zenith. The antenna housing is machined from aluminum and the O.M.L. can be modified to meet a specific requirement. The antenna is normally furnished with a right angle "SMA" connector with other connectors available as options.

PERFORMANCE



SPECIFICATIONS

C-BAND S65-5366-251

ELECTRICAL

Frequency	4.4 To 4.8 GHz
VSWR	≤ 1.5:1
Polarization	RHCP
Impedance	50 ohms
Axial Ratio	≤ 4 dBic @ Zenith
Gain Coverage (min)	1.0 dBic 0° = θ
	-1.0 dBic 0° ≤ θ ≤ 75°
	-2.5 dBic 75° < θ ≤ 80°
	-4.5 dBic 80° < θ ≤ 85°
	-7.5 dBic θ = 90° @ Horizon
Polarization	RHCP
Impedance	50 ohms

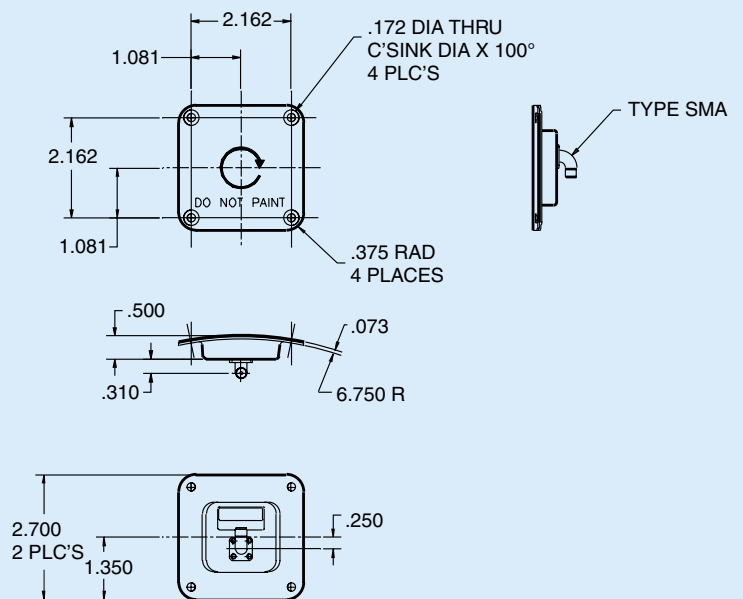
MECHANICAL

Weight	3 oz.
Length	2.70 in.
Width	2.70 in.
Material	6061-T6 aluminum / teflon
Finish	Iridite per AMS-C-5541
Connector	"SMA" FEMALE

ENVIRONMENTAL

Temperature	-80°F to +203°F
Vibration	10 G's
Altitude	70,000 ft.

OUTLINE DRAWING



8929 Fullbright Avenue
Chatsworth, CA 91311 USA
818-341-5366 fax: 818-341-9059
email: info@sensorantennas.com
www.sensorantennas.com

S65-5366-251