

U.S. Patent No. 3,220,006

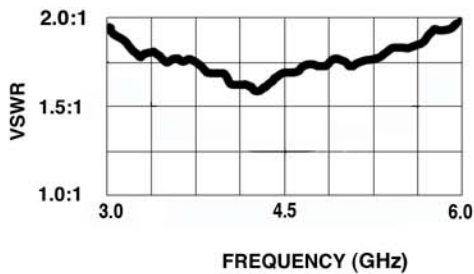
DESCRIPTION

S65-5366-38: Small teflon glass C/S-band antenna with 3 inch circular aluminum base plate designed for telemetry and data link applications. The dielectrically loaded quarter-wave monopole design of the antenna provides excellent electrical performance. Suitable for low and high-speed aircraft.

The basic antenna may be customized to meet customer's specific requirements.

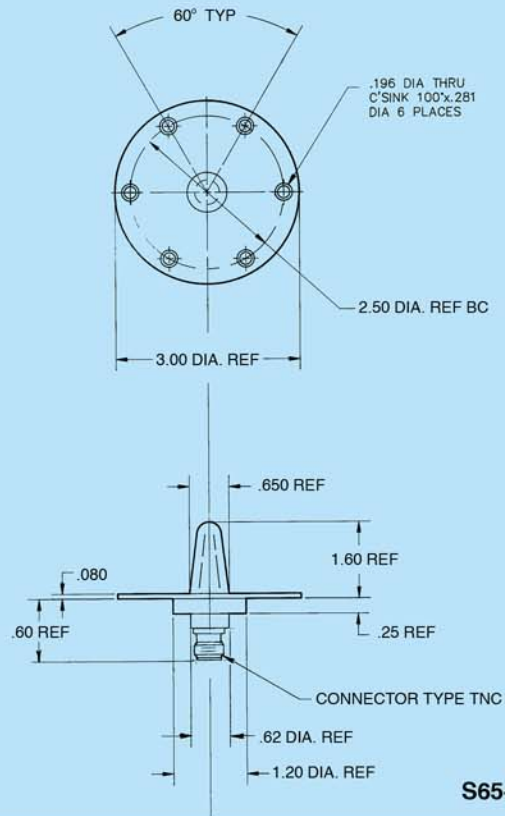
Federal & Military Specs: MIL-STD-810, MIL-E-5400, MIL-A-7772, MIL-A-9094, MIL-B-5087.

PERFORMANCE



SPECIFICATIONS	
MODEL	S65-5366-38
ELECTRICAL	
Frequency	3.0 - 6.0 GHz
VSWR	2.0:1
Pattern	Omni-Directional
Polarization	Vertical
Impedance	50 ohms
Power	1000 w/pk
MECHANICAL	
Weight	2 oz.
Height	1.60 in.
Material	6061-T6 / teflon glass
Finish	Skydrol-resistant enamel
Connector	TNC
ENVIRONMENTAL	
Temperature	-65°F to +185°F
Vibration	10 Gs
Altitude	70,000 ft.

OUTLINE DRAWING



S65-5366-38



Sensor Systems, Inc.
 8929 Fullbright Ave., Chatsworth, CA 91311
 Ph: 818-341-5366 Fax: 818-341-9059
 Email: info@SensorAntennas.com
 www.SensorAntennas.com