

Telemetry S65-5366-716

C/S Band, Wireless Gatelink

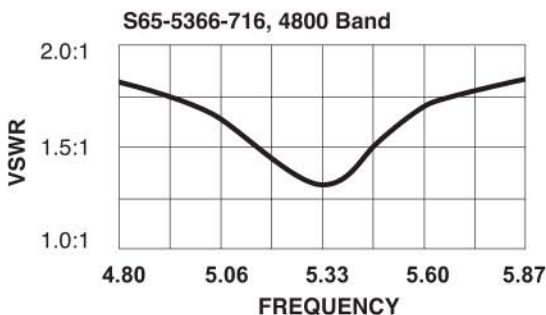
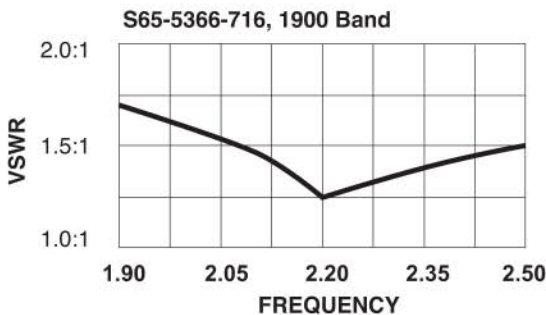


DESCRIPTION

S65-5366-716: Blade antenna is designed for quad GSM and spread spectrum local area network communication utilizing IEEE 802. 11 A/B/G in a single antenna installation. The 4-hole base plate design provides a common installation for commercial airline application.

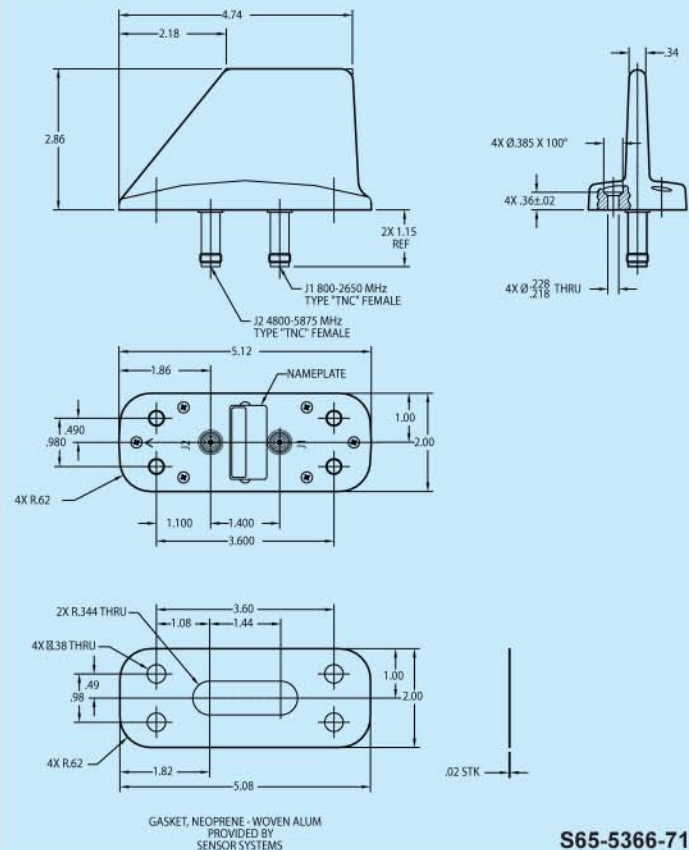
FEDERAL & MILITARY SPECS: MIL-HDBK-5400, MIL-STD-810, MIL-E-5272C. MIL-A-7772B, RTCA / DO-160E.

PERFORMANCE



SPECIFICATIONS	C-BAND
MODELS	S65-5366-716
ELECTRICAL	
Frequency	J1: 800–2650 MHz J2: 5180–5800 MHz
VSWR	≤ 2.0:1 1.7:1 @ 890–1550 MHz 1.5:1 @ 960–1220 MHz
Polarization	VERTICAL
Impedance	50 Ohms
Power Handling	1000 Watts Peak 50 Watts Continuous
Lightning Protection	DC grounded
MECHANICAL	
Weight	7 oz.
Width	2.00 in.
Length	5.12 in.
Material	6061-T6 aluminum / Thermoset Plastic
Finish	Skydrol Resistant Polyurethane Enamel
Connector	TNC Female (2)
ENVIRONMENTAL	
Temperature	-65° F (-54° C) TO +185° F (+85° C)
Vibration	10 G's
Side Load	10 PSI
Altitude	-1800 to 70,000 ft.

OUTLINE DRAWING



S65-5366-716