

UHF S65-1024; -1025; -1026



DESCRIPTION

S65-1024: High-powered, receive only antenna. Constructed from aluminum casting; internally supported to maximum sideloding effect and extreme temperatures. DC grounded to provide lightning protection. High resistance to erosion. Hermetically sealed. AWACS UHF communications.

NSN: 5985-01-024-9204

S65-1025: Same as (-1024) except for power handling capability to 10 kw.

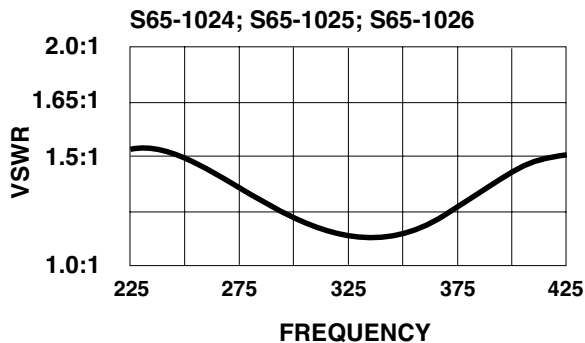
NSN: 5985-01-028-1565.

S65-1026: Same as (-1024) except for power handling capability to 2 kw.

NSN: 5985-01-020-1065

FEDERAL & MILITARY SPECS: MIL-STD-810, MIL-E-5400, MIL-A-9094, MIL-B-5087.

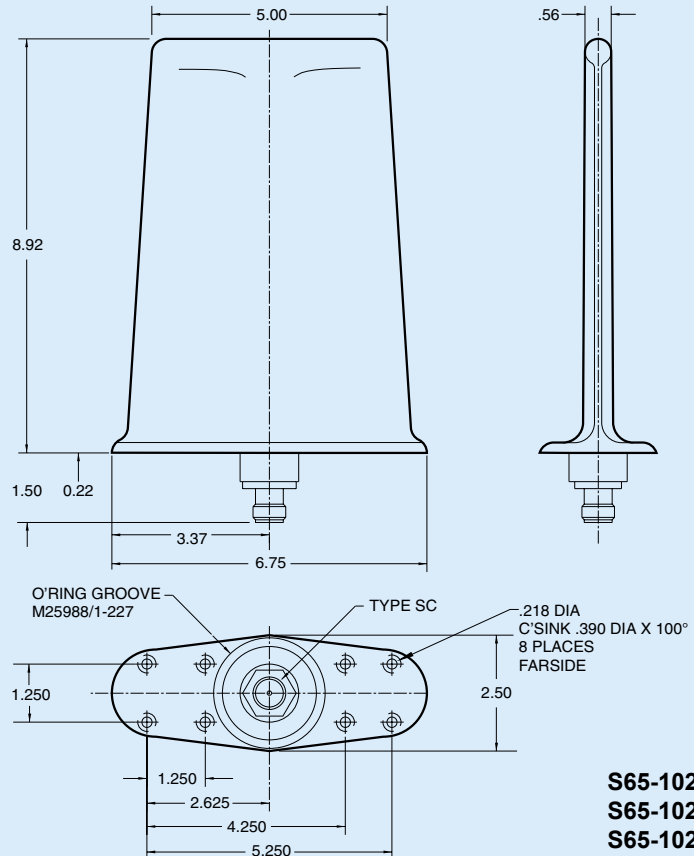
PERFORMANCE



SPECIFICATIONS

	UHF		
	S65-1024	S65-1025	S65-1026
ELECTRICAL			
Frequency	225-400 MHz	225-400 MHz	225-400 MHz
VSWR	2.0:1	1.65:1	1.65:1
Pattern	Omni/Az	Omni/Az	Omni/Az
	Cos/EI	Cos/EI	Cos/EI
Polarization	Vertical	Vertical	Vertical
Impedance	50 ohms	50 ohms	50 ohms
Power Handling	Receive	10 kw/pk	2 kw/pk
		5 kw/avg	1 kw/avg
Lightning Protection ...		DC grounded	
MECHANICAL			
Weight		3.0 lbs.	
Height		8.92 in.	
Material		356-T6 aluminum casting	
Finish		Skydrol resistant enamel	
Connector		SC	
Drag		4.5 lbs. Mach .85 @ 25,000 ft.	
ENVIRONMENTAL			
Side Load		8 psi	
Temperature		-65°F to +131°F	
Vibration		10 G's	
Altitude		60,000 ft.	

OUTLINE DRAWING



S65-1024
S65-1025
S65-1026