

UHF S65-1217



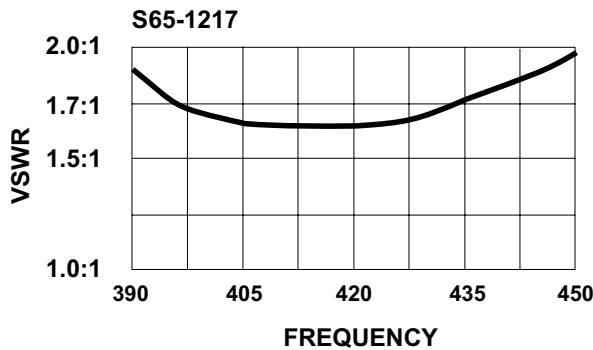
DESCRIPTION

S65-1217: Vertically polarized, swept-back UHF blade. Conforms to AT-896/A specs. Designed for military command systems frequencies of 390-450 MHz. High-strength aluminum die casting. Intended for speeds up to Mach 2.0 with low drag. DC grounded to provide lightning protection. Connector is forward mounted. Six-hole bolt pattern. Hermetically sealed.

NSN: 5985-00-034-2320.

FEDERAL & MILITARY SPECS: MIL-STD-810, MIL-E-5400, MIL-A-9094, MIL-B-5087.

PERFORMANCE



SPECIFICATIONS

UHF
S65-1217

ELECTRICAL

Frequency 390-450 MHz
 VSWR 2.0:1 (390-450)
 1.7:1 (402-420)
 Pattern 1/4 wave monopole
 Polarization Vertical
 Impedance 50 ohms
 Power 100 watts average
 Lightning Protection ... DC grounded

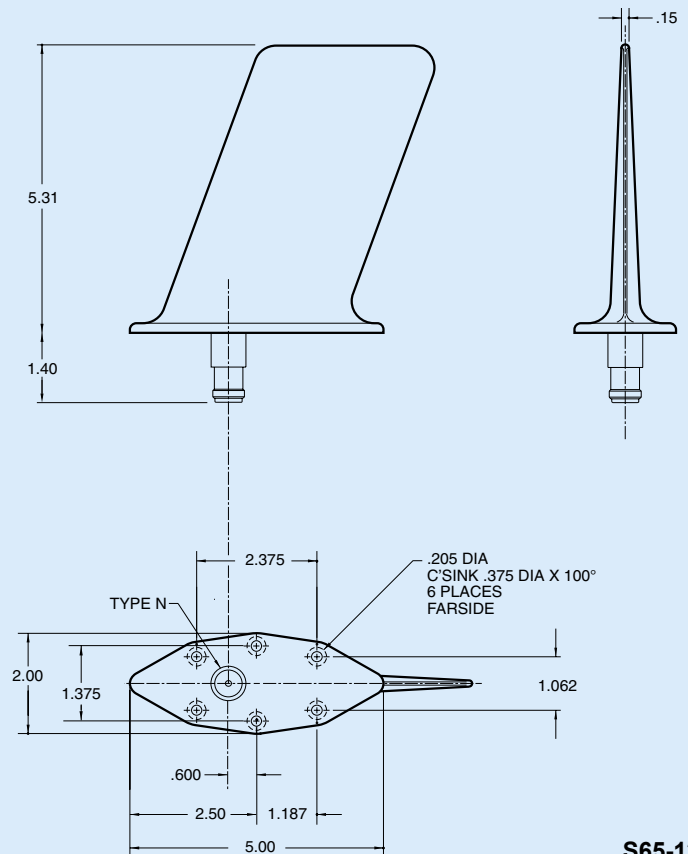
MECHANICAL

Weight 11 oz.
 Height 5.31 in.
 Material A380 aluminum casting
 Finish Skydrol resistant enamel
 Connector N
 Drag 5 lbs. Mach .85 @ 35,000 ft.

ENVIRONMENTAL

Side Load 8 psi
 Temperature -65°F to +185°F
 Vibration 10 G's
 Altitude 70,000 ft.

OUTLINE DRAWING



S65-1217

Sensor Systems Inc.
 8929 Fullbright Avenue
 Chatsworth, CA 91311 USA
 818-341-5366 fax: 818-341-9059
 email: info@sensorantennas.com
 www.sensorantennas.com