

# UHF S65-1227-Series



U.S. Patent No. 4,509,053

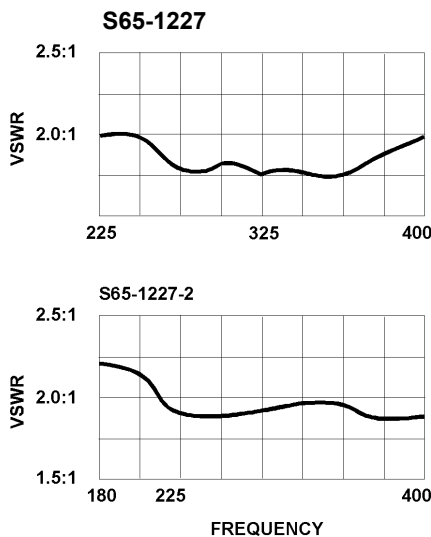
## DESCRIPTION

**S65-1227:** All metal, DC grounded to provide lightning protection. Low drag. Extremely rugged. Provides high degree of structural rigidity and protection from rain, erosion and sand/gravel abrasion. For high-speed military aircraft. Bolt pattern same as AT-840 military UHF.

**S65-1227-2:** Same as S65-1227 except frequency range is 180-400 MHz; height 8.2 inches, and weight 22 ounces.

**FEDERAL & MILITARY SPECS:** MIL-STD-810, MIL-E-5400, MIL-A-9094, MIL-B-5087.

## PERFORMANCE

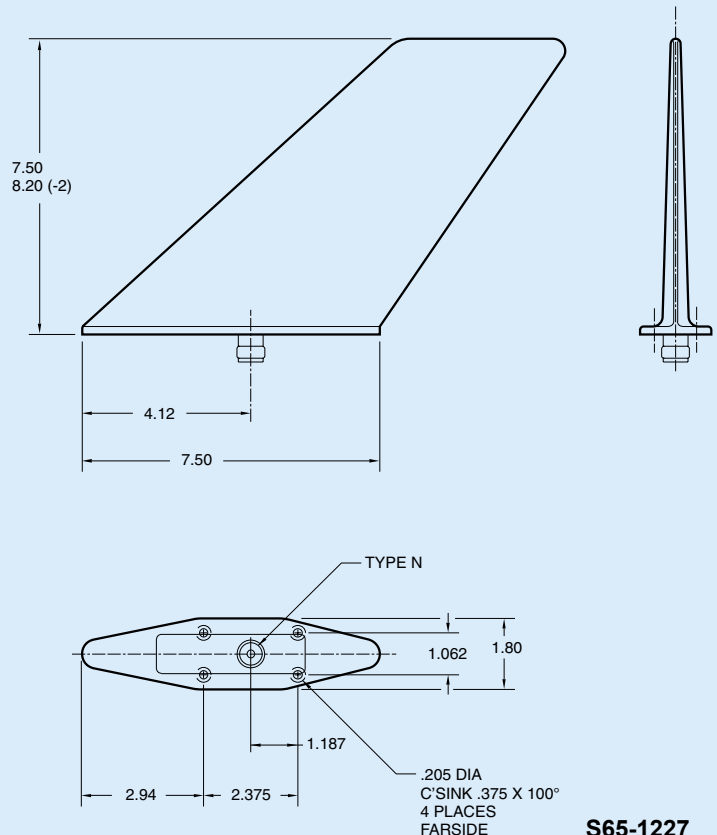


8929 Fullbright Avenue  
Chatsworth, CA 91311 USA  
818-341-5366 fax: 818-341-9059  
email: info@sensorantennas.com  
www.sensorantennas.com

## SPECIFICATIONS

	S65-1227	UHF S65-1227-2
<b>ELECTRICAL</b>		
Frequency .....	225-420 MHz	180-400 MHz
VSWR .....	2.3:1	2.5:1 (180-225) 2.0:1 (225-400)
Pattern .....	1/4 wave monopole	1/4 wave monopole
Polarization .....	Vertical	Vertical
Impedance .....	50 ohms	50 ohms
Power .....	100 watts	5 watts (180-225) 100 watts (225-400)
Lightning Protection ...	DC grounded _____	
<b>MECHANICAL</b>		
Weight .....	21 oz.	22 oz.
Height .....	7.5 in.	8.2 in.
Material .....	A356-T61 aluminum casting _____	
Finish .....	Skydrol resistant enamel _____	
Connector .....	N _____	
Drag .....	0.6 lbs. Mach .85 @35,000 ft. _____	
<b>ENVIRONMENTAL</b>		
Side Load .....	12 psi _____	
Temperature .....	-65°F to +203°F _____	
Vibration .....	35 G's _____	
Altitude .....	70,000 ft. _____	

## OUTLINE DRAWING



**S65-1227**  
**S65-1227-2**