

UHF/L-BAND S65-1608

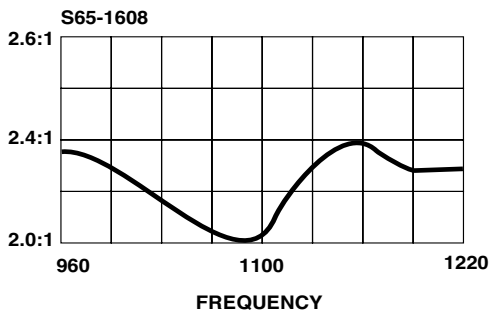


DESCRIPTION

S65-1608: All-metal, D.C. grounded to provide lightning protection. Internal filters providing 50 dB isolation are incorporated into the base. "V" type base-plate designed for application on vertical fin of aircraft. Hermetically sealed. For application on High speed military aircraft.

FEDERAL & MILITARY SPECS: MIL-E-5400, MIL-E-5272, MIL-A-7772 (ASG), MIL-A-6271, MIL-A-094, MIL-STD-810.

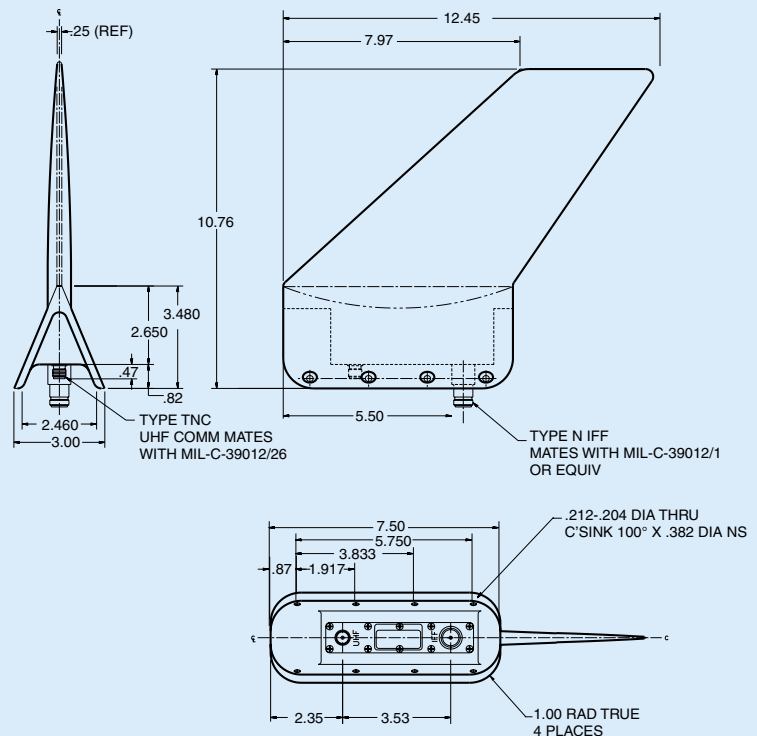
PERFORMANCE



SPECIFICATIONS

	UHF	Dual Frequency S65-1608	L-BAND
ELECTRICAL			
Frequency	225-400 MHz		960-1220MHz
VSWR	2.4:1		2.4:1
Pattern.....	Omni/AZ		Omni/Az
	Cos/EL		Cos/EL
Polarization.....	Vertical		Vertical
Impedance	50 ohms		50 ohms
Power	50 watts		3000 w/pk
Isolation	50 dB		50 dB
Lightning Protection	DC grounded		
MECHANICAL			
Weight	50 oz.		
Height	7.28 in.		
Material.....	A356-T61 aluminum		
Finish.....	Skydrol resistant enamel		
Connector	TNC		
Drag70 lbs. Mach .85 @35,000 ft.		
ENVIRONMENTAL			
Side Load	9 psi		
Temperature.....	-65°F to +203°F		
Vibration.....	35 G's		
Altitude.....	70,000 ft.		

OUTLINE DRAWING



S65-1608



8929 Fullbright Avenue
Chatsworth, CA 91311 USA
818-341-5366 fax: 818-341-9059
email: info@sensorantennas.com
www.sensorantennas.com