



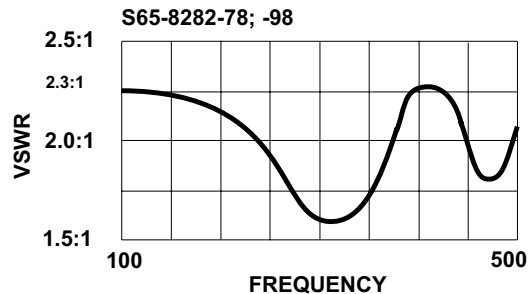
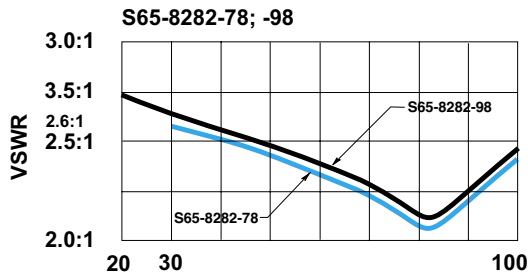
DESCRIPTION

S65-8282-78: High-speed, low-drag, multifunction antenna. Broadband operational frequency enables use in VHF/UHF systems. Phase-matched antenna for DF systems, 30-500 MHz. Application: C-130.

S65-8282-98: Same as (-78) except for 20-500 MHz frequency range.

FEDERAL & MILITARY SPECS: MIL-STD-810, MIL-E-5400, MIL-A-7772 (ASG), MIL-A-9094, MIL-B-5087.

PERFORMANCE



SPECIFICATIONS

VHF/UHF

	S65-8282-78	S65-8282-98
ELECTRICAL		
Frequency	30-500 MHz	20-500 MHz
VSWR	2.6:1 (30-100) 2.3:1 (100-500)	3.5:1 (20-30) 2.6:1 (30-100) 2.3:1 (100-500)
Pattern	Omni/Az Cos/EI	Omni/Az Cos/EI
Polarization	Vertical	Vertical
Impedance	50 ohms	50 ohms
Power	40 watts	40 watts
Lightning Protection	DC grounded	

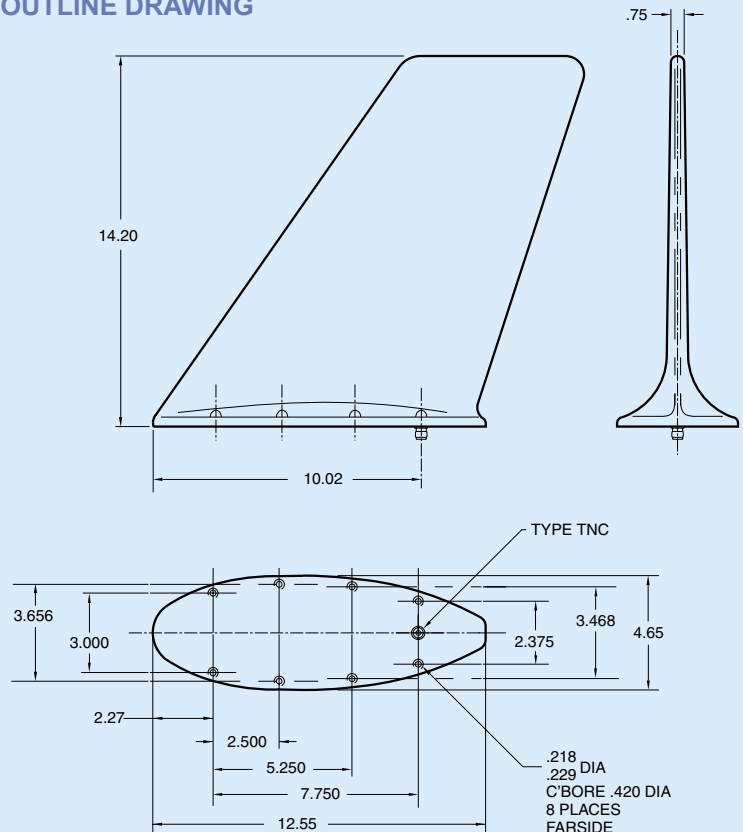
MECHANICAL

Weight	3 lbs.
Height	14.2 in.
Material	6061-T6 aluminum / glass
Finish	Skydrol resistant enamel
Connector	TNC
Drag	2.0 lbs. Mach .85 @ 35,000 ft.

ENVIRONMENTAL

Side Load	6 psi
Temperature	-65°F to +160°F
Vibration	10 G's
Altitude	60,000 ft.

OUTLINE DRAWING



S65-8282-78
S65-8282-98



8929 Fullbright Avenue
Chatsworth, CA 91311 USA
818-341-5366 fax: 818-341-9059
email: info@sensorantennas.com
www.sensorantennas.com