



DESCRIPTION

S65-8282-831: Representing current state-of-the-art in digitally-tuned antenna technology, the S65-8282-831 provides high-gain VHF/UHF performance.

Tuning of the inductor circuits is controlled by PIN diodes from an internal logic control board in the base of the antenna assembly.

Frequency setting information is transmitted directly to the antenna from the receiver via a multi-pin connector. All tuning is solid-state with switching speeds that support frequency-hopping secure voice communication systems.

Since the S65-8282-831 is tuned through the 30-512 MHz band, it provides optimized gain for receivers having wide-band tuning requirements.

The S65-8282-831 is capable of operating with Collins ARC-210, Raytheon ARC-231, and Rohde & Schwarz M3AR 6000 radios.

FEDERAL & MILITARY SPECS: MIL-E-5400T, MIL-STD-810.

PERFORMANCE

GAIN S65-8282-831							
Freq. (MHz)	30	88	108	174	225	400	512
Gain	-10	-6	-1	-1	-1	-1	-1

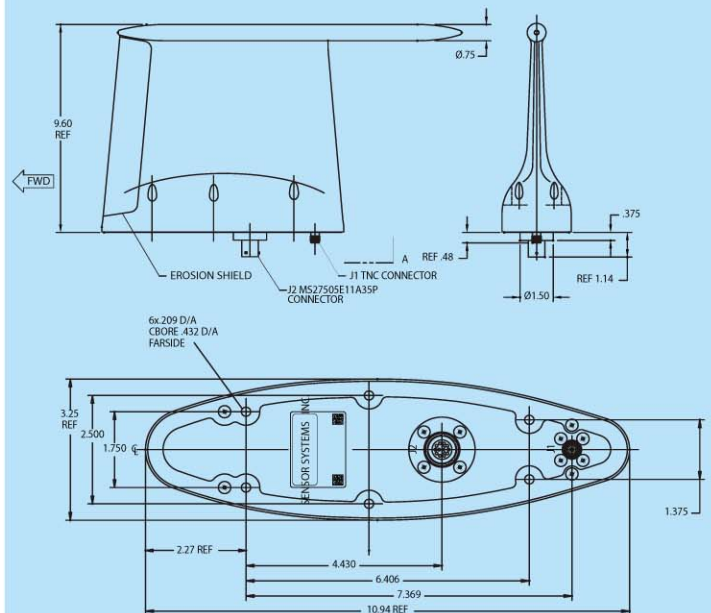


Sensor Systems, Inc.

8929 Fullbright Ave., Chatsworth, CA 91311
 Ph: 818-341-5366 Fax: 818-341-9059
 Email: info@SensorAntennas.com
 www.SensorAntennas.com

SPECIFICATIONS	VHF/FM	VHF/AM	UHF
MODEL	S65-8282-831		
ELECTRICAL			
Frequency	30-88 MHz	108-174 MHz	225-512 MHz
VSWR	1.3:1-1.9:1	2.0:1	1.8:1
Pattern	Omni/Az, Cos/EI		
Polarization	Vertical		
Impedance	50 ohms		
RF Power	25 Watts		
DC Power	+28 VDC, 1 AMP		
Switching Speed	< 50 μ S		
Lightning Protection	Gas Discharge Tube		
MECHANICAL			
Weight	4.0 lbs.		
Height	9.6 in.		
Width	3.25 in.		
Length	10.94 in.		
Material	6061-T6 Aluminum/fiberglass		
Finish	Skydrol-resistant enamel		
RF Connector	TNC		
DC Connector	'MS27505E11A35P'		
Drag	2.0 lb. Mach .85 @ 35,000 ft.		
ENVIRONMENTAL			
Side Load	9 psi		
Temperature	-40° F (-40° C) TO +194° F (+90° C)		
Shock	15Gs		
Vibration	10Gs		
Altitude	70,000 ft.		

OUTLINE DRAWING



S65-8282-831