



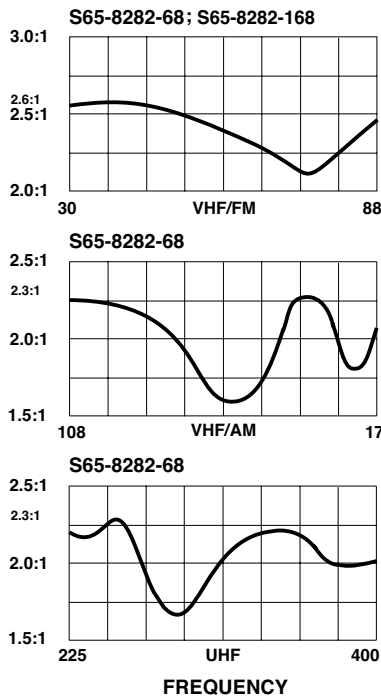
DESCRIPTION

S65-8282-68: Designed for use with AN/ARC-182/186 or similar radios. Frequency range 30-88/108-174/225-400 MHz. High, gain, low VSWR over operating band with minimum insertion loss. Top loaded. Eight-hole bolt pattern compatible with Collins 437 SI series. Military qualified. Use on C-130. Hermetically sealed.

S65-8282-168: Same as (-68) except 30-88 MHz only.

FEDERAL & MILITARY SPECS: MIL-E-5400, MIL-E-5272, MIL-A-7772 (ASG).

PERFORMANCE



	VHF/AM	VHF/AM	UHF
	S65-8282-168	S65-8282-68	

ELECTRICAL

Frequency	30-88 MHz	108-174 MHz	225-400 MHz
VSWR	2.6:1	2.3:1	2.3:1
Gain dBi	30 88 -12 -5	108-174	225-400 +3
Pattern	Omni/Az Cos/EI	Omni/Az Cos/EI	Omni/Az Cos/EI
Polarization	Vertical	Vertical	Vertical
Impedance	50 ohms	50 ohms	50 ohms
Power	60 watts	60 watts	35 watts
Isolation	40 dB	40 dB	40dB
Lightning Protection		DC grounded	

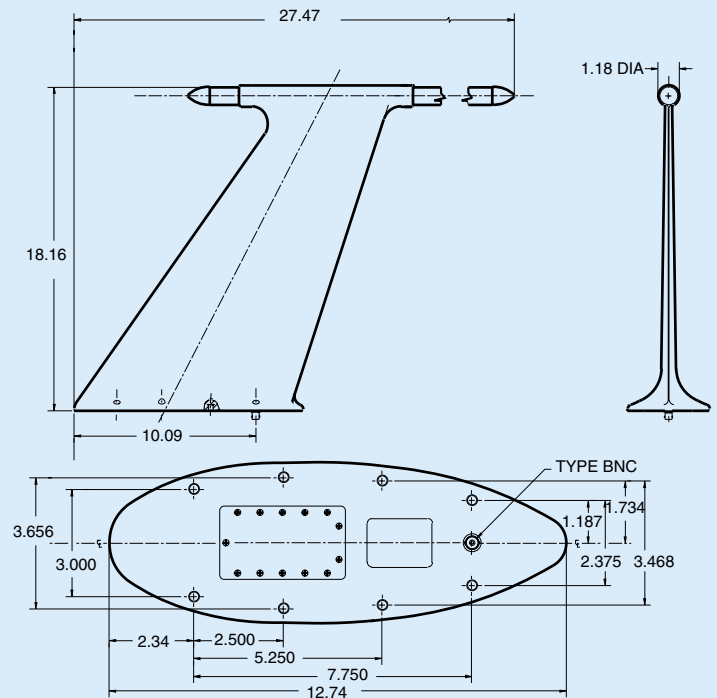
MECHANICAL

Weight	4.50 lbs.
Height	18.16 in.
Material	6061-T61 aluminum/glass MIL-P-18177
Finish	Skydrol resistant enamel
Connector	BNC
Drag	2.8 lbs. Mach .85 @ 35,000 ft.

ENVIRONMENTAL

Side Load	6 psi
Temperature	-65°F to +160°F
Vibration	10 G's
Altitude	60,000 ft.

OUTLINE DRAWING



S65-8282-68
S65-8282-168