



DESCRIPTION

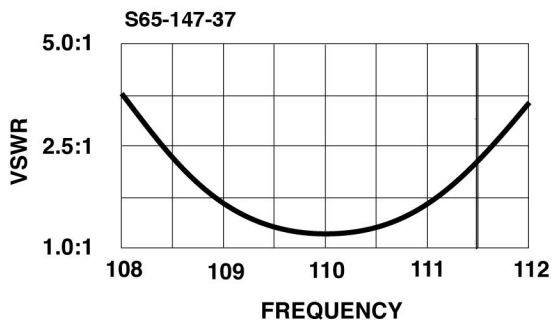
S65-147-37: Extremely reliable localizer antenna specifically designed for Cat 3 installations (triple-redundancy). Features 3 separate and isolated connectors.

Constructed of high-strength aluminum tubing and extrusion with fiberglass base housing. Provides horizontally polarized radion signal. Hermetically sealed.

FEDERAL & MILITARY SPECS:

MIL-E-5400H, DO-160E, TSO C-36e, DO-195, MIL-E-5272C, ARINC Characteristic 547 & 710.

PERFORMANCE



Sensor Systems, Inc.

8929 Fullbright Ave., Chatsworth, CA 91311

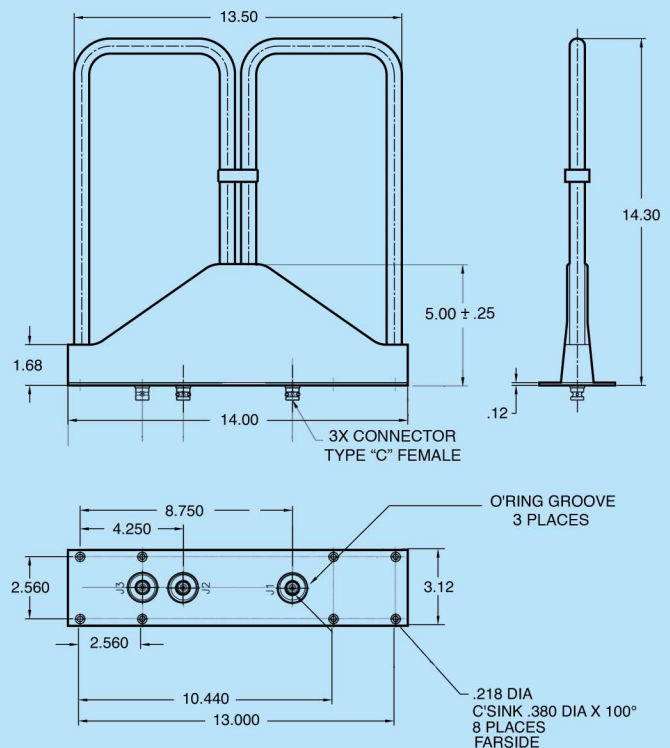
Ph: 818-341-5366 Fax: 818-341-9059

Email: info@SensorAntennas.com

www.SensorAntennas.com

| SPECIFICATIONS | LOCALIZER |
|-----------------------------|-------------------------------|
| MODEL | S65-147-37 |
| ELECTRICAL | |
| Frequency | 108-112 MHz |
| VSWR | 5.0:1 |
| Pattern | Omni/Az Cos/EI |
| Polarization | Horizontal |
| Impedance | 50 ohms |
| Power | Receive only |
| Lightning Protection | DC grounded |
| MECHANICAL | |
| Weight | 1.8 lbs |
| Height | 14.3 in. |
| Material | 6061-T6 aluminum / fiberglass |
| Finish | Gray Primer |
| Connector | Type "C" |
| ENVIRONMENTAL | |
| Temperature | -65°F to +185°F |
| Vibration | 3 Gs |
| Altitude | 80,000 ft. |

OUTLINE DRAWING



S65-147-37