

X-Band S65-1200; S65-1200-1



DESCRIPTION

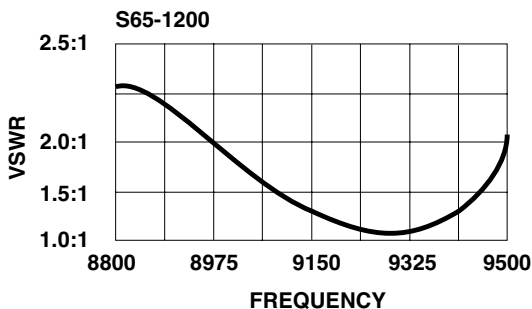
S65-1200: Designed for X-Band transponder use for high-gain patterns on the horizon. All metal, dip-brazed construction provides DC grounding for lightning protection. Coax-to-wave-guide connector offers high-power capability. Wave guide and connector are hermetically sealed. AWACS transponder. Ideal for military applications for in-flight refueling and other tactical operations.

NSN: 5985-01-024-4265.

S65-1200-1: Aluminum alloy base, teflon radome. Designed for X-band/IFF transponder use. Vertically polarized antenna operation in frequency range of 8.0 to 12.0 GHz with tangential sensitivity (TSS) of -56 dBm. Ideal for military applications. Light weight, low drag. Requires +28 VDC, 5 mA bias

FEDERAL & MILITARY SPECS: MIL-STD-810, MIL-A-7772, MIL-A-9096, MIL-B-5087, MIL-E-5400.

PERFORMANCE



SPECIFICATIONS

X-BAND

	S65-1200	S65-1200-1
ELECTRICAL		
Frequency	8800-9500 MHz	8.0-12.0 GHz
VSWR	1.5:1 (9150-9400) 2.5:1 (8800-9500)	TSS -56 dBm / 4 MHz
Pattern	+10 Vertical	1/4 wave monopole
Polarization	Horizontal	Vertical
Directivity	7 dB above isotropic reference min.	4 dB
Impedance	50 ohms	50 ohms
Power	400 w/pk	
Lightning Protection		DC grounded

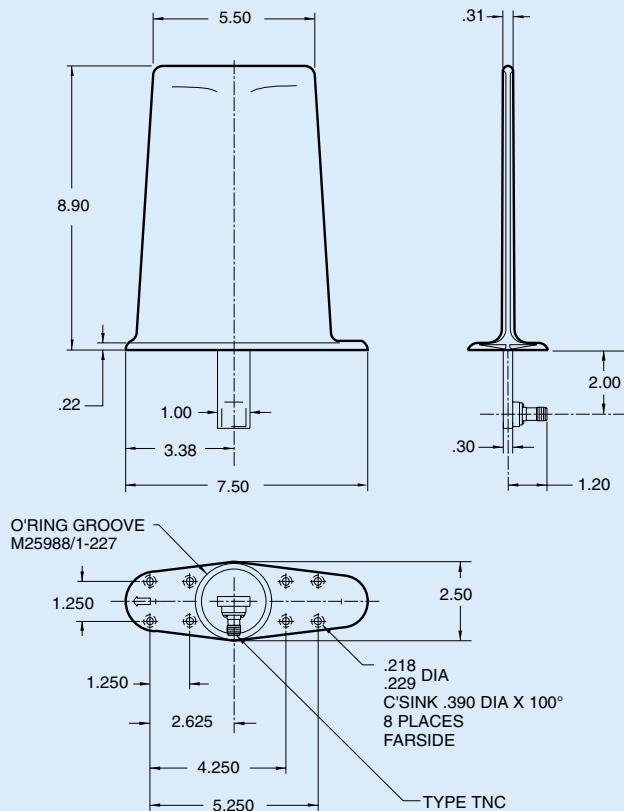
MECHANICAL

Weight	2.0 lbs.	4.5 oz.
Height	8.9 in.	0.8 in.
Material	A-612 aluminum casting	
Finish	Skydrol resistant enamel	
Connector	TNC	
Drag	1.5 lbs. Mach .85 @29,000 ft.	

ENVIRONMENTAL

Side Load		12 psi
Temperature	-100°F to +250°F	-60°F to +160°F
Vibration	14 G's	10 G's
Altitude		60,000 ft.

OUTLINE DRAWING



S65-1200