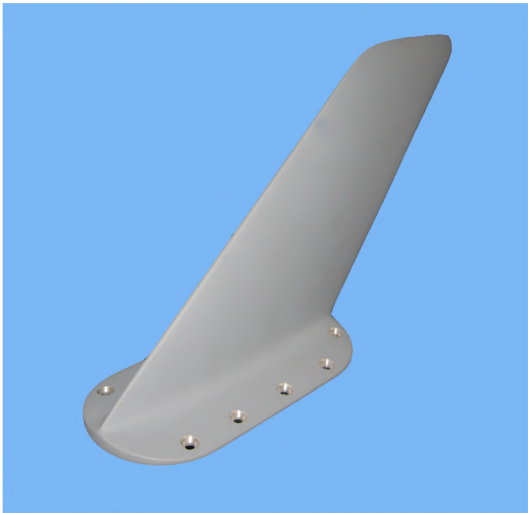


UHF/L-Band S65-1226-8



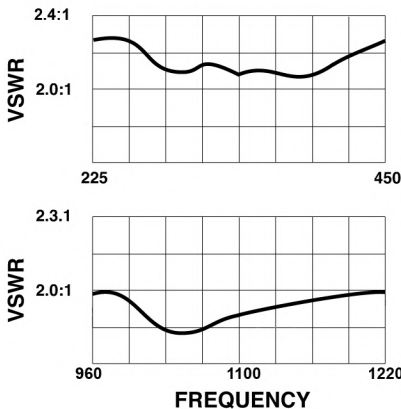
U.S. Patent No. 4,509,053; No. 3,220,006

DESCRIPTION

S65-1226-8: Small dual-frequency blade antenna incorporating special filtering providing 40 dB isolation. Rugged design with low drag characteristics make it suitable for high-speed military aircraft. 7.5 inch height also makes it ideal for rotor wing aircraft and UAV's where mounting space is a concern. Construction is all-metal and DC-grounded for superior lightning protection. Hermetically-sealed for long life. Base plate conforms to military bolt-hole pattern.

FEDERAL & MILITARY SPECS: MIL-STD-810, MIL-E-5400, MIL-A-9094, MIL-B-5087.

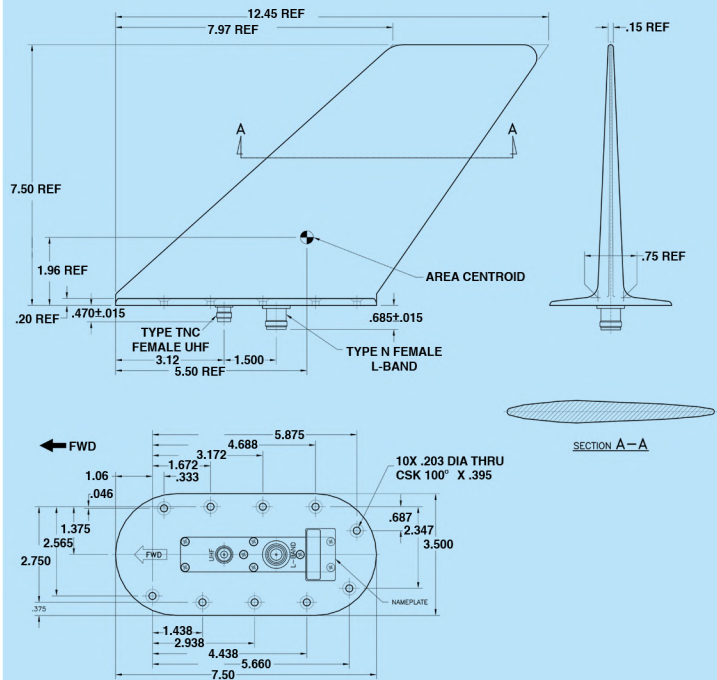
PERFORMANCE



SPECIFICATIONS		FOR REFERENCE ONLY	
MODEL	S65-1226-8		
ELECTRICAL	L-BAND	UHF	
Frequency	960-1220 MHz	225 - 450 MHz	
VSWR	2.3:1	2.4:1	
Pattern	1/4 wave monopole		
Polarization	Vertical		
Impedance	50 ohms		
Power	4000 w/pk	100 watts	
Isolation	40 dB	40 dB	
Lightning Protection	DC grounded		
MECHANICAL			
Weight	1.9 lbs		
Height	7.5 in.		
Material	A356-T61 aluminum casting		
Finish	Skydrol-resistant enamel		
Connector	TNC	N	
Drag	.7 lbs. Mach .85 @ 35,000 ft.		
ENVIRONMENTAL			
Side Load	12 psi		
Temperature	-65°F to +203°F		
Vibration	30 Gs		
Altitude	70,000 ft.		

OUTLINE DRAWING

S65-1226-8



Note: Prior to installation, contact Sensor Systems for the latest engineering drawings.

