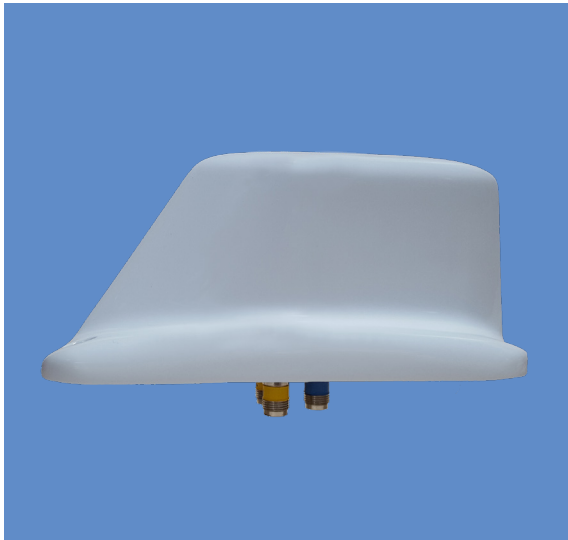


DUAL IRIDIUM/LTE S65-5366-738



DESCRIPTION

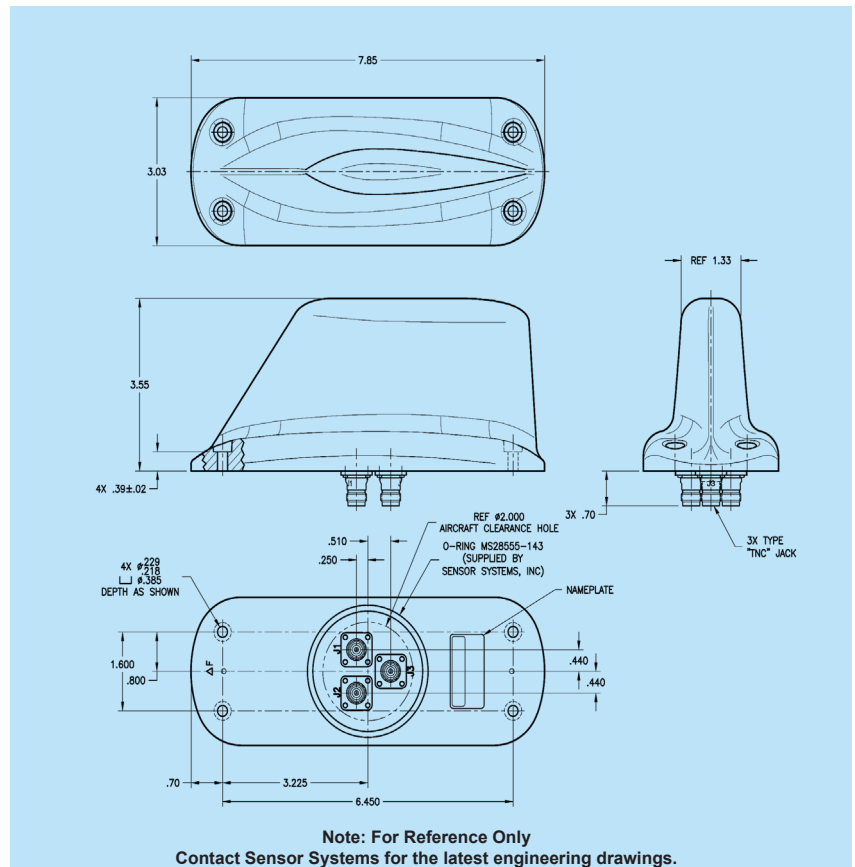
S65-5366-738: Multifunction antenna that provides a dual Iridium and a single dual-element antenna in one radome. This limits the space need on an aircraft. The Iridium is a dual-element antenna providing coverage from 1616 MHz to 1626.5 MHz for full Iridium coverage. The LTE is designed to support present and future 4G/UMTS operating from 700 MHz to 2700 MHz.

The composite radome provides protection against rain, ice and lightning strikes. It's four-hole baseplate is designed to be a direct mounting replacement for an existing dual Iridium antenna. The antenna is hermetically sealed and DC grounded. The antenna is ideal for commercial, business jet and rotorcraft.

FEDERAL & MILITARY SPECS: FAA TSO-159d, RTCA DO-160D/G, DO262C, and MIL-HDBK-5400.

SPECIFICATIONS

ELECTRICAL	
Frequency (IRIDIUM)	1616.0-1626.5 MHz (J1/J2)
(LTE)	700-2700 MHz (J3)
VSWR (IRIDIUM)	≤ 1.8:1 (J1/J2)
(LTE)	≤ 3.0:1 (J3)
Polarization	RHCP (J1/J2)
Impedance	50 Ohms
Power Handling	60 Watts (IRIDIUM) 100 Watts (LTE)
Axial Ratio	≤3.0 dB @ Zenith (J1/J2)
Lightning Protection	DC grounded
MECHANICAL	
Weight	1.2 lbs
Height	3.55 in.
Length	7.85 in.
Width	3.03 in
Material	6061 T6 AL Alloy/Thermoset Plastic
Finish	Skydrol Resistant Polyurethane Enamel
Connector	TNC Female (x3)
ENVIRONMENTAL	
Temperature	-55°C (-67°F) to +85°C (+185°F)
Altitude	55,000 ft



8929 Fullbright Ave., Chatsworth, CA, 91311 • Ph: 818-341-5366 • Fax: 818-341-9059
Email: productinfo@sensorantennas.com • www.sensorantennas.com