

VHF S65-8262-2



DESCRIPTION

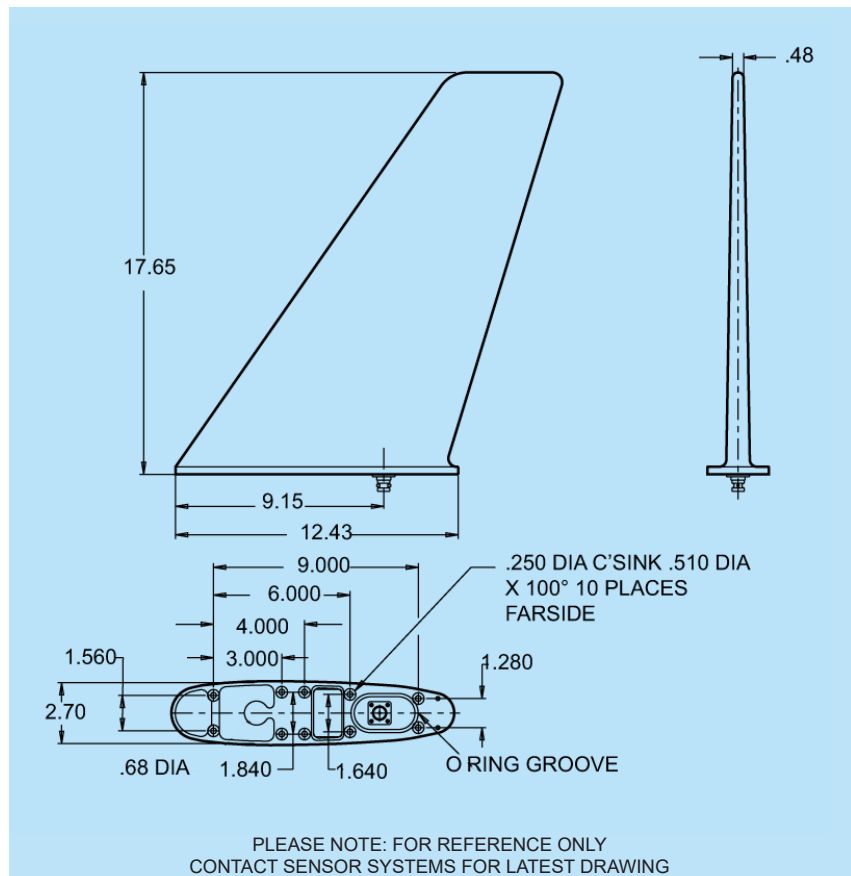
S65-8262-2: All-metal VHF antenna covering the frequency band of 116 to 156 MHz. The antenna is DC grounded to eliminate "P" static. It has a ten-hole base with a type C connector. The antenna is also hermetically sealed for a longer service life.

This antenna is ideal for commercial aircraft.

FEDERAL & MILITARY SPECS: FAA TSO C37b and C38b, MIL-A-6271A, MIL-7772B(ASG), MIL-A-9094C, MIL-E-5272C and MIL-E-5400H.

SPECIFICATIONS

ELECTRICAL	
Frequency	116-156 MHz
VSWR	≤ 2.0:1
Polarization	Vertical
Patterns	Omnidirectional in Azimuth Cosinusoidal in Elevation
Impedance	50 Ω
Power	250 Watts Continuous 1000 Watts Peak
Lightning Protection	DC Grounded
MECHANICAL	
Weight	4.9 lb.
Height	17.65 in.
Length	12.43 in.
Width	2.70 in.
Material	A-356 T6 Aluminum Alloy
Finish	Skydrol Resistant Polyurethane Enamel
Connector	C Female
ENVIRONMENTAL	
Temperature	-54°C (-65°F) to +85°C (+185°F)
Altitude	Up to 60,000 ft.
Vibration	8 G's



8929 Fullbright Ave., Chatsworth, CA, 91311 • Ph: 818-341-5366 • Fax: 818-341-9059
Email: productinfo@sensorantennas.com • www.sensorantennas.com