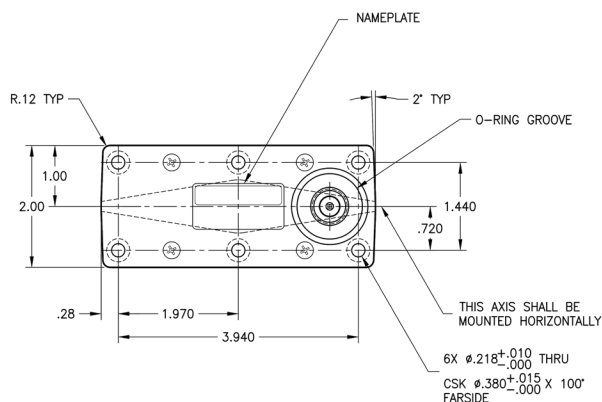
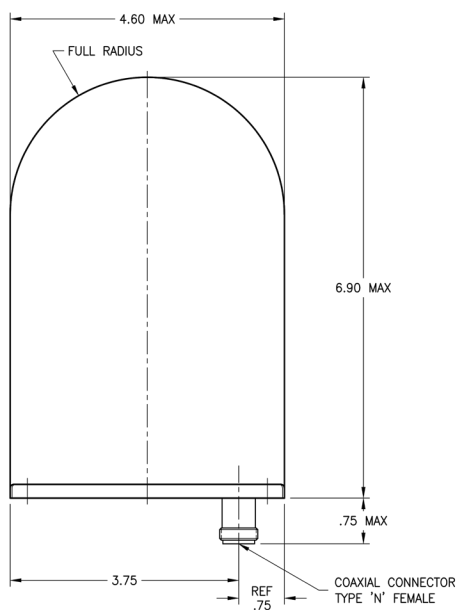


# Glide Slope S41422-6



Please Note: For REFERENCE ONLY  
Contact Sensor Systems for latest drawing

## Description

This high-gain, single port Glide Slope antenna has a built-in fault isolation network. The fiberglass radome is bonded over an alloy casting to provide high structural strength.

The **S41422** antenna is DC grounded to protect from lightning and is hermetically sealed for a long service life.

The antenna is certified for Category III aircraft. The antenna is interchangeable with Collins 37-P and other glide slopes to simplify spares replacement.

## Federal & Military Certifications:

ARINC Characteristic 519, MIL-E-5272C, MIL-E-5400H and MIL-STD-810B.

## Specifications

### Electrical

Frequency	329-335 MHz
VSWR	≤2.0:1
Polarization	Linear (Horizontal)
Pattern	Cosinusoidal in Both E & H Planes
Impedance	50 Ω Nominal
Efficiency	80%

### Mechanical

Weight	0.60 lbs. (Max.)
Height	6.90 in.
Length	4.60 in.
Width	2.00 in.
Material	A356-T6 Aluminum Alloy Casting / Epoxy Fiberglass Cover
Finish	Skydrol Resistant Polyurethane
Connector	N Female

### Environmental

Temperature (Operating)	-61°C (-77°F) to +74°C (+165°F)
Altitude	-1800 to 80,000 ft.



A HEICO COMPANY

Website: [www.sensorantennas.com](http://www.sensorantennas.com)

Phone: 818-341-5366