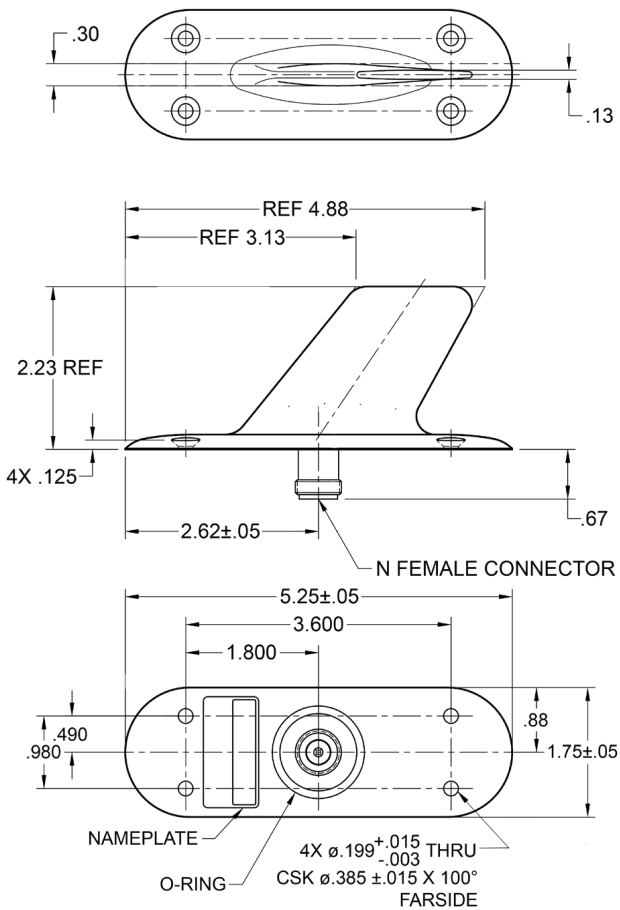


L-Band S65-5366-11L



Please Note: For REFERENCE ONLY
Contact Sensor Systems for latest drawing

Description

This vertically polarized, omnidirectional L-band antenna operates from 960-1220 MHz. The antenna is used with transponder, DME, ATC, IFF, TACAN and Mode-S applications.

The **S65-5366-11L**'s rugged antenna design is constructed with an all metal casting. The antenna is hermetically sealed for a long service life and is DC grounded. The antenna features a 4-hole bolt pattern with a type N female connector and o-ring seal.

Federal & Military Certifications:

FAA TSO C66c, C74d, C112e, DO-144A, DO-160D/G, DO-181E, DO-189, MIL-A-25708C, MIL-A-25730, MIL-A-7772B, MIL-E-5272C, MIL-HDBK-5400 and MIL-STD-810D.

Specifications

Electrical

Frequency	960-1220 MHz
VSWR	1000-1100: $\leq 1.42:1$ 960-1220: $\leq 1.7:1$
Polarization	Vertical
Pattern	Omnidirectional in Azimuth Cosinusoidal in Elevation
Impedance	50 Ω
Power	250 Watts Continuous 2500 Watts Peak

Mechanical

Weight	4 oz.
Height	2.23 in.
Length	5.25 in.
Width	1.75 in.
Material	A-356 Aluminum Alloy Casting
Finish	Skydrol Resistant Polyurethane Enamel
Connector	N Female

Environmental

Temperature (Operating)	-55°C (-67°F) to +85°C (+185°F)
Altitude	50,000 ft.

Accessories

O-ring	MS9021-024
--------	------------



A HEICO COMPANY

Website: www.sensorantennas.com

Phone: 818-341-5366