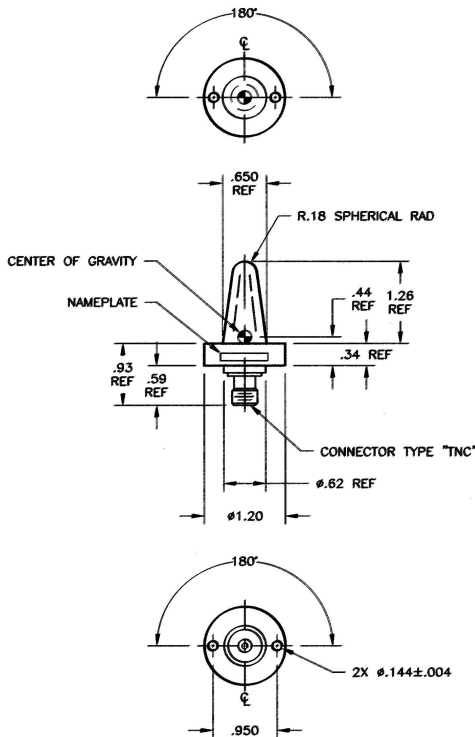


# Telemetry **S65-5366-31S**



Please Note: For REFERENCE ONLY  
Contact Sensor Systems for latest drawing

## Description

**S65-5366-31S:** Small stub antenna designed for in-cabin Wireless LAN applications operating at 2.0 to 4.0 GHz. At less than 2 inches tall, the antenna is ideal for many installations where size constraints are an issue. Manufactured from 6061-T6 aluminum alloy with a Teflon radome, the antenna is extremely rugged. The base has two mounting holes for 6-32 screws and features a TNC connector.

**Federal & Military Certifications:** MIL-E-5400, MIL-E-5272.

## Specifications

### Electrical

Frequency	2.0 - 4.0 GHz
VSWR	2.0-2.1 GHz $\leq$ 2.3:1
	2.1-2.7 GHz $\leq$ 2.0:1
	2.7-4.0 GHz $\leq$ 2.3:1
Pattern	Omnidirectional
Polarization	Vertical
Impedance	50 $\Omega$
Power	250 Watts CW
Efficiency	85%
Gain	Equivalent to matched 1/4 Wave Stub

### Mechanical

Weight	2.0 oz.
Material	6061-T6 Aluminum Alloy / Teflon Radome
Finish	Iridite and Natural Teflon
Connector	TNC Female

### Environmental

Temperature	-54°C (-65°F) to +121°C (+250°F)
Altitude	Up to 70,000 ft.



A HEICO COMPANY

Website: [www.sensorantennas.com](http://www.sensorantennas.com)

Phone: 818-341-5366