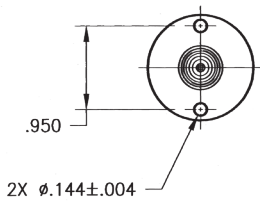
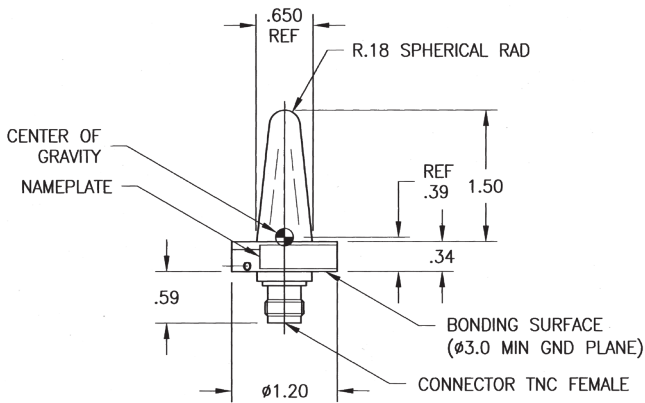


S/C-Band Stub S65-5366-32S



Description

A small stub antenna designed for in-cabin Wireless LAN applications operating at dual frequencies 2.4 to 2.5 GHz and 5.1 to 5.9 GHz.

The **S65-5366-32S** antenna is less than two inches tall and is ideal for many installations where size constraints are an issue. The stub antenna is manufactured from 6061-T6 aluminum alloy with a teflon radome, making the antenna extremely rugged. The base has two mounting holes for 6-32 screws and features a TNC connector.

Federal & Military Certifications:

DO-160D, MIL-E-5272 and MIL-E-5400.

Specifications

Electrical

Frequency	2400-2500 MHz 5100-5900 MHz
VSWR	2400-2500 MHz: ≤2.0:1 5100-5900 MHz: ≤2.2:1
Polarization	Vertical
Pattern	Omnidirectional
Impedance	50 Ω
Power	50 Watts Continuous

Mechanical

Weight	2.0 oz.
Height	1.84 in.
Diameter	1.20 in.
Material	6061-T6 Aluminum Alloy / Teflon Radome
Finish	Iridite and Natural Teflon
Connector	TNC Female

Environmental

Temperature (Operating)	-62°C (-80°F) to +95°C (+203°F)
Altitude	55,000 ft.

Please Note: For REFERENCE ONLY
Contact Sensor Systems for latest drawing



A HEICO COMPANY

Website: www.sensorantennas.com

Phone: 818-341-5366