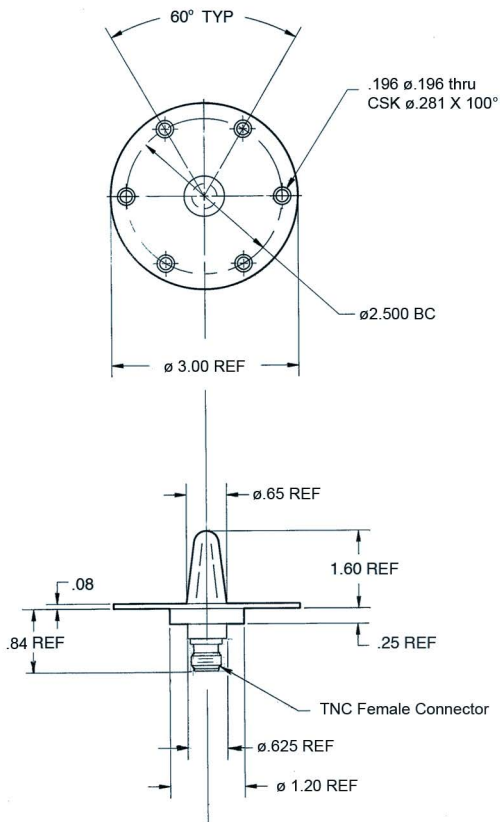


# Telemetry **S65-5366-39**



**S65-5366-39**



Please Note: For REFERENCE ONLY  
Contact Sensor Systems for latest drawing

## Description

**S65-5366-39:** Small Teflon` glass US-band antenna with an operational band of 1.75 to 3.0 GHZ designed for data link and telemetry applications. The di-electrically loaded quarter-wave monopole design of the antenna provides excellent electrical performance. Suitable for low and high-speed aircraft.

The antenna features a 3 inch circular aluminum base plate; may be modified to meet a customer's specific requirements.

**Federal & Military Certifications:** MIL-E-5400 and MIL-E-5272.

## Electrical

Frequency	1.75 - 3.0 GHz
VSWR	≤2.0:1
Polarization	Vertical
Pattern	Omnidirectional
Impedance	50 Ω
Gain	Equivalent to matched 1/4 wave stub

## Mechanical

Weight	2 oz.
Height	1.60 in.
Material	6061-T6 Aluminum Alloy / Teflon Radome
Finish	Skydrol Resistant Enamel
Connector	TNC Female

## Environmental

Temperature	-54°C (-65°F) to +121°C (+250°F)
Altitude	Up to 70,000 ft.



A HEICO COMPANY

Website: [www.sensorantennas.com](http://www.sensorantennas.com)

Phone: 818-341-5366