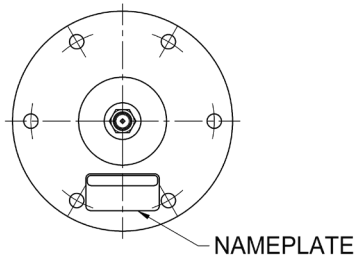
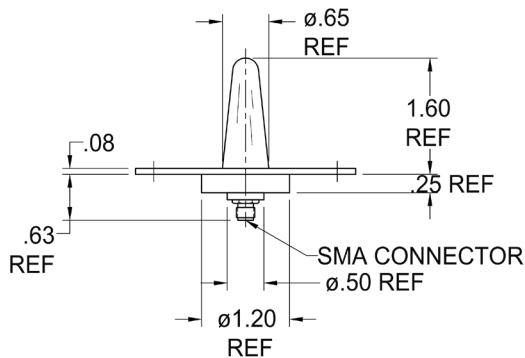
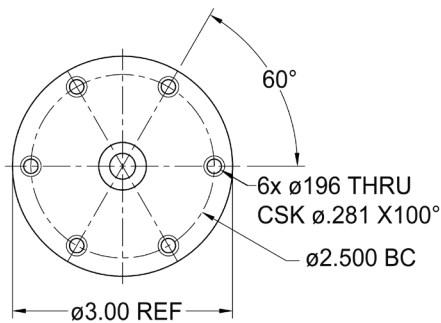


L/S-Band Beacon **S65-5366-40**



Please Note: For REFERENCE ONLY
Contact Sensor Systems for latest drawing

Description

A small teflon stub antenna that is designed for universal mounting with a circular base plate. This C-band antenna operates at 4.0 GHz to 8.0 GHz.

The **S65-5366-40** antenna can be installed internally or externally on the aircraft. Its application is for commercial, military and rotor craft.

Federal & Military Certifications:

MIL-E-5272 and MIL-E-5400.

Specifications

Electrical

Frequency	1.75 - 3.00 GHz
VSWR	≤2.0:1
Gain	Equivalent to Matched 1/4 Wave Stub
Polarization	Vertical
Pattern	Omnidirectional
Impedance	50 Ω
Efficiency	85%

Mechanical

Weight	2 oz.
Height	1.60 in.
Diameter	3.00
Material	6061-T6 Aluminum Alloy / Teflon Radome
Finish	Skydrol Resistant Enamel
Connector	SMA Female

Environmental

Temperature (Operating)	-54°C (-65°F) to +121°C (+250°F)
Altitude	Up to 70,000 ft.



A HEICO COMPANY

Website: www.sensorantennas.com

Phone: 818-341-5366