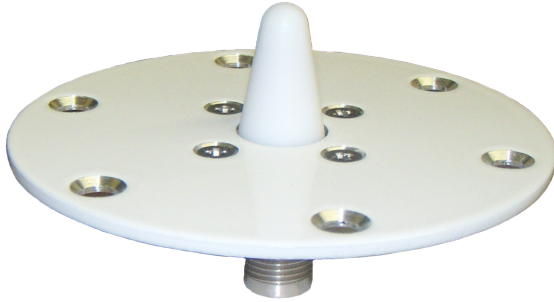


# C-Band Stub **S65-5366-60**



## Description

A small teflon stub antenna that is designed for universal mounting with a circular base plate. This C-band antenna operates at 4.0 GHz to 8.0 GHz.

The **S65-5366-60** antenna can be installed internally or externally on the aircraft. Its application is for commercial, military and rotor craft.

## Federal & Military Certifications:

MIL-E-5272 and MIL-E-5400.

## Specifications

### Electrical

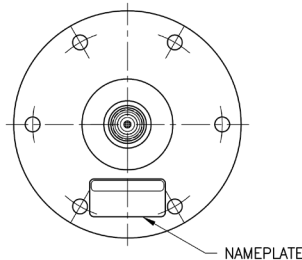
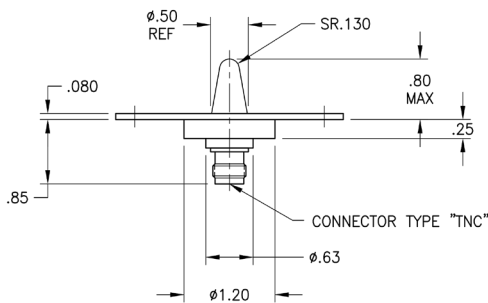
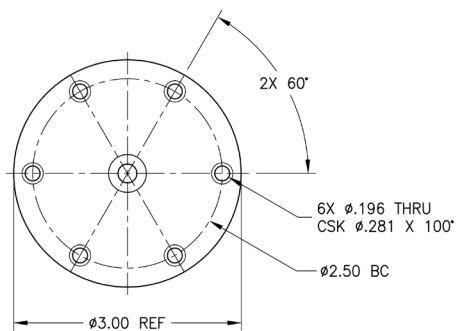
Frequency	4.0-8.0 GHz
VSWR	≤2.0:1
Gain	Equivalent to Matched 1/4 Wave Stub
Polarization	Vertical
Pattern	Omnidirectional
Impedance	50 Ω
Power	1 KW Peak
Efficiency	85%

### Mechanical

Weight	1.6 oz.
Height	.80 in.
Diameter	3.00
Material	6061-T6 Aluminum Alloy / Teflon Radome
Finish	Skydrol Resistant Polyurethane Enamel
Connector	TNC Female

### Environmental

Temperature (Operating)	-54°C (-65°F) to +121°C (+250°F)
Altitude	Up to 70,000 ft.



Please Note: For REFERENCE ONLY  
Contact Sensor Systems for latest drawing



A HEICO COMPANY

Website: [www.sensorantennas.com](http://www.sensorantennas.com)

Phone: 818-341-5366