

MIMO WiFi/LTE S65-5366-703



Description

A multi-band MIMO, short blade antenna that features a total of five port connectors. Three of the connectors cover the WiFi frequencies and the remaining two connectors cover the LTE frequencies.

The **S65-5366-703** antenna's vertically polarized radiating elements are strategically located to provide optimum performance of over-the-air WiFi and LTE signals; while minimizing coupling effects.

The antenna is low in profile and hermetically sealed. The composite radome provides protection against rain, ice and lightning strikes. Its six hole mounting configuration design is ideal for commercial aircraft installations.

Federal & Military Certifications:

DO-160D/G, MIL-A-7772B, MIL-HDBK-5400, MIL-E-5272C and MIL-STD-810D.

Specifications

Electrical

Frequency	WiFi (J1, J2, & J5): 2400-2500 MHz and 4900-5900 MHz LTE (J3 & J4): 700-2700 MHz
VSWR	WiFi (J1, J2, & J5): $\leq 3.0:1$ LTE (J3 & J4): $\leq 3.0:1$

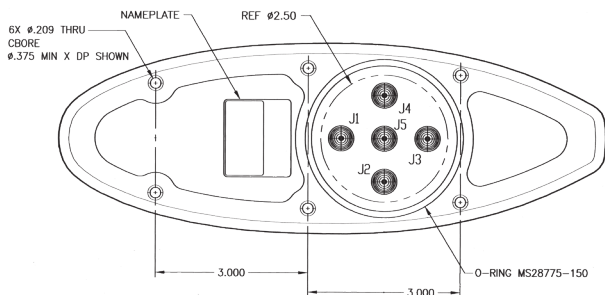
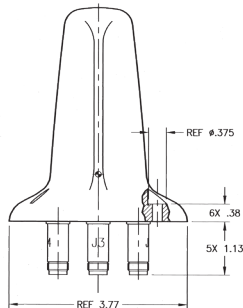
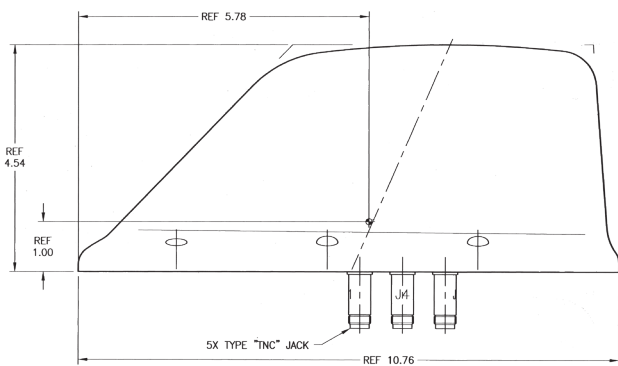
Polarization	Vertical
Pattern	Omnidirectional
Impedance	50 Ω
Power	50 Watts Continuous

Mechanical

Weight	1.5 lbs.
Height	4.54 in.
Length	10.76 in.
Width	3.77 in.
Material	6061-T6 Aluminum Alloy / Thermoset Plastic
Finish	Skydrol Resistant Polyurethane Enamel
Connector	TNC Female (5)

Environmental

Temperature (Operating)	-55°C (-67°F) to +85°C (+185°F)
Altitude	55,000 ft.



Please Note: For REFERENCE ONLY
Contact Sensor Systems for latest drawing



A HEICO COMPANY

Website: www.sensorantennas.com

Phone: 818-341-5366