

WLAN/L-Band S65-5366-720



Description

A tri-band blade antenna designed for WiMax 802.16, quad GSM and Wireless Local Area Network (WLAN) communications utilizing IEEE 802.11a/b/g/n wireless broadband standards.

The **S65-5366-720** antenna provides world-wide interoperability for data loading electronic flight bags, cargo loading manifests, HUMS (Health and Usage Monitoring System) offloads, updating in-flight entertainment systems and other data transfer functions.

The antenna unit is hermetically sealed and DC grounded.

Federal & Military Certifications:

FAA TSO C74d, DO-144A, DO-160D/E/G, MIL-A-7772B, MIL-E-5272C, MIL-HDBK-5400 and MIL-STD-810D.

Specifications

Electrical

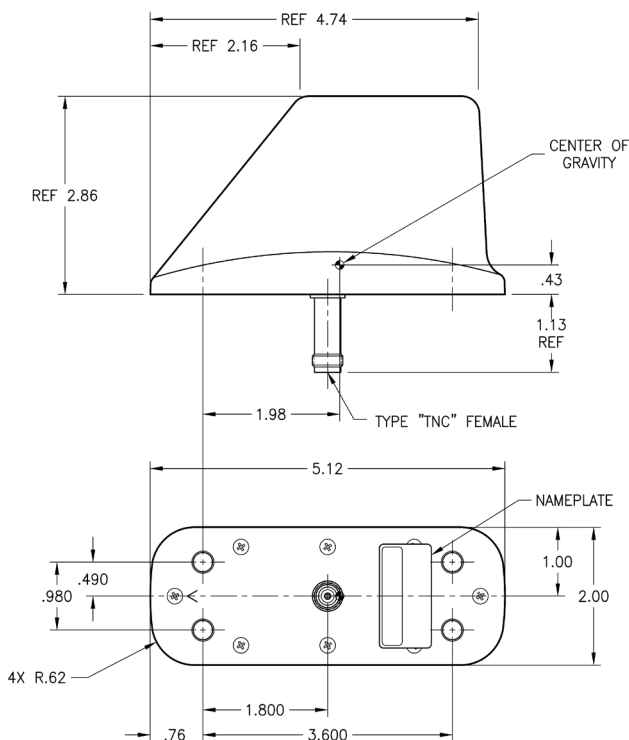
Frequency	700-2650 MHz 3400-3700 MHz 4800-5875 MHz
VSWR (diplexer included)	700-2650 MHz: $\leq 2.5:1$ 1030-1090 MHz: $\leq 1.5:1$ 3400-3700 MHz: $\leq 2.5:1$ 4800-5875 MHz: $\leq 2.5:1$
Polarization	Vertical
Pattern	Omnidirectional
Impedance	50 Ω
Power	500 Watts Peak 100 Watts Continuous

Mechanical

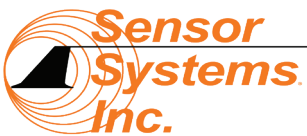
Weight	7.0 oz.
Height	2.86 in.
Length	4.74 in.
Width	2.00 in.
Material	6061-T6 Aluminum Alloy / Thermoset Plastic
Finish	Skydrol Resistant Polyurethane Enamel
Connector	TNC Female

Environmental

Temperature (Operating)	-55°C (-67°F) to +85°C (+185°F)
Altitude	70,000 ft.



Please Note: For REFERENCE ONLY
Contact Sensor Systems for latest drawing



A HEICO COMPANY

Website: www.sensorantennas.com

Phone: 818-341-5366