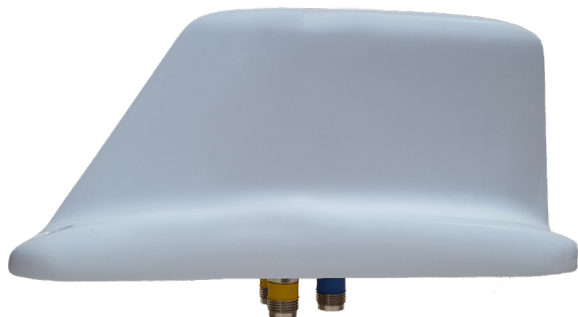


Dual Iridium/LTE S65-5366-738



Description

This multifunction antenna provides a dual Iridium and a single dual-element antenna in one radome. This limits the space need on an aircraft. The Iridium is a dual-element antenna providing coverage from 1616 MHz to 1626.5 MHz for full Iridium coverage. The LTE is designed to support present and future 4G/UMTS operating from 700 MHz to 2700 MHz.

The composite radome of the **S65-5366-738** antenna provides superior protection against rain, ice and lightning strikes. Its four-hole baseplate is designed to be a direct mounting replacement for an existing dual Iridium antenna. The antenna is hermetically sealed and DC grounded. It is ideal for commercial, business jet and rotor craft.

Federal & Military Certifications:

FAA TSO C159d, DO-160D/G, DO-262C and MIL-HDBK-5400.

Specifications

Electrical

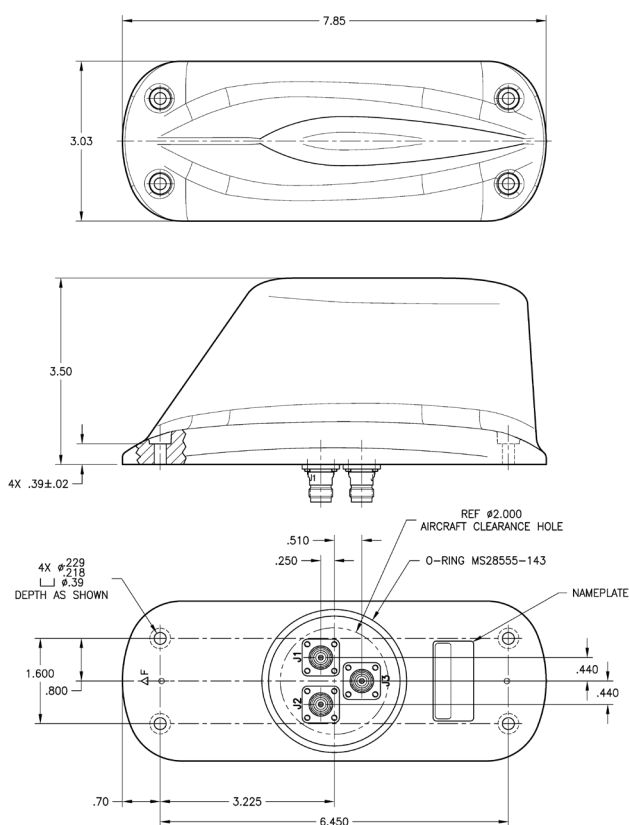
Frequency	Iridium (J1 & J2): 1616.0 -1626.5 MHz LTE (J3): 700-2700 MHz
VSWR	Iridium (J1 & J2): ≤1.8:1 LTE (J3): ≤3.0:1
Polarization	Iridium (J1 & J2): RHCP
Impedance	50 Ω
Power	Iridium (J1&J2): 60 Watts LTE (J3): 100 Watts
Axial Ratio	Iridium (J1 & J2): <3.0 dBic @ Zenith

Mechanical

Weight	1.2 lbs.
Height	3.50 in.
Length	7.85 in.
Width	3.03 in.
Material	6061-T6 Aluminum Alloy / Thermoset Plastic
Finish	Skydrol Resistant Polyurethane Enamel
Connector	TNC Female (3)

Environmental

Temperature (Operating)	-55°C (-67°F) to +85°C (+185°F)
Altitude	55,000 ft.



Please Note: For REFERENCE ONLY
Contact Sensor Systems for latest drawing



A HEICO COMPANY

Website: www.sensorantennas.com

Phone: 818-341-5366