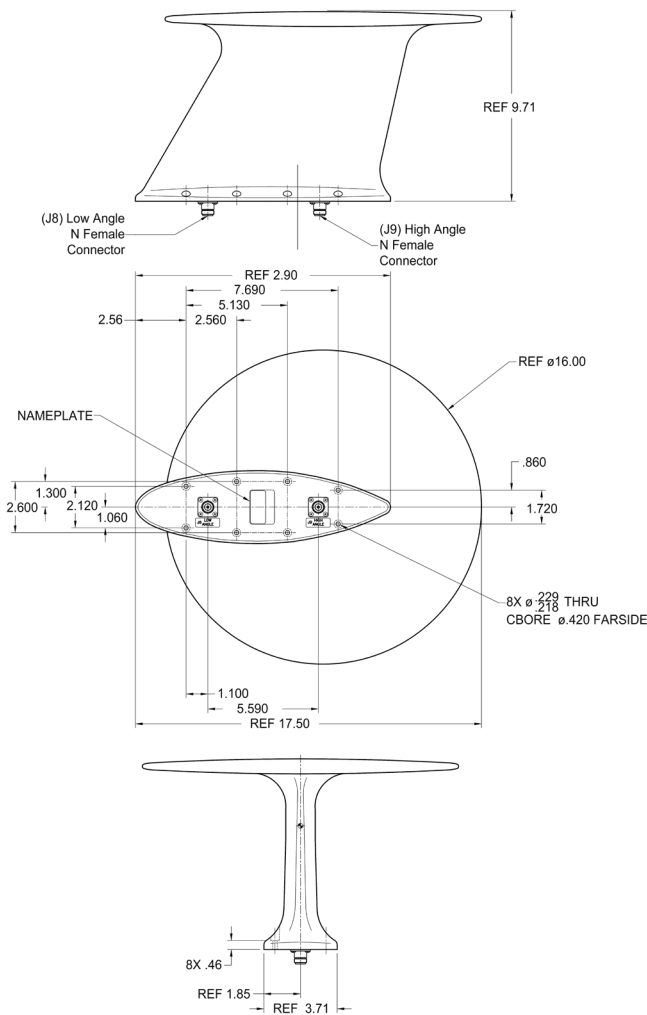


Dual UHF/Satcom S65-8282-130



Please Note: For REFERENCE ONLY
Contact Sensor Systems for latest drawing

Description

The dual mode UHF Satellite Communication antenna provides two functions from a single low-profile antenna footprint. The traditional low-angle, vertically-polarized blade can be used for air-to-air and air-to-ground communications.

The **S65-8282-130's** high-angle RHCP element is designed for UHF Satcom. The antenna is ideal for military application.

Federal & Military Certifications:

MIL-A-7772B, MIL-A-9094A, MIL-E-8272C, MIL-E-5400H and MIL-STD-810.

Specifications

Electrical

Frequency	High Angle: 240-400 MHz Low Angle: 225-400 MHz
VSWR	High Angle: $\leq 2.0:1$ Low Angle: $\leq 2.0:1$
Gain	High Angle: +7.0 dBic Min. Low Angle: +2.0 dBil Min.
Polarization	High Angle: RHCP Low Angle: Vertical
Pattern	High Angle: Cardioid Hemispheric RHCP Omnidirectional in Azimuth Low Angle: Cosinusoidal in Elevation
Impedance	50 Ω
Power	High Angle: 200 Watts Continuous Low Angle: 200 Watts Continuous
Isolation	15 dB (Mid-Band)
Axial Ratio	3.0 dB

Mechanical

Weight	6.4 lbs.
Height	10.25 in.
Length	17.56 in.
Width	$\varnothing 16.00$ in.
Material	6061 Aluminum Alloy / Fiberglass
Finish	Skydrol Resistant Polyurethane Enamel
Connector	N Female (2), mates with M39012/01
Drag	2.8 lbs @ M.85 @ 35,000 ft.

Environmental

Temperature (Operating)	-54°C (-65°F) to +85°C (+185°F)
Altitude	-100 to 50,000 ft.



A HEICO COMPANY

Website: www.sensorantennas.com

Phone: 818-341-5366