

VHF/UHF S65-8282-297



Description

S65-8282-297: High speed, low drag, multifunction antenna. The broadband operational frequency enables use with VHF/UHF systems. This antenna is used as a replacement for the legacy S65-8282-78, S65-8282-781 and S65-8282-98; with phase matching $\pm 7^\circ$ max at 20-512 MHz.

FEDERAL & MILITARY SPECS: MIL-A-7772B, MIL-A-9094A, MIL-E-5272C, MIL-E-5400H, and MIL-STD-810D.

Specifications

Electrical

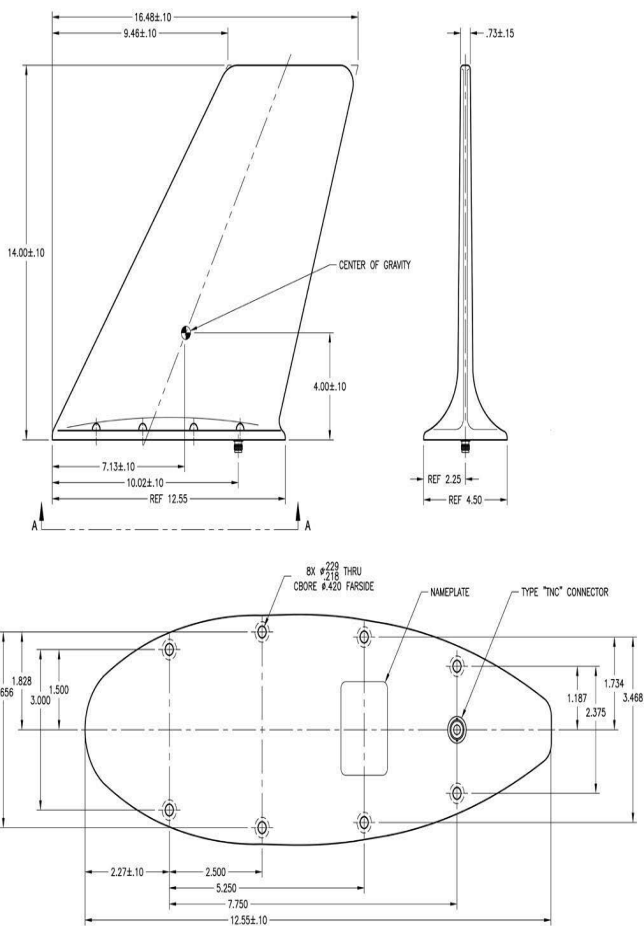
Frequency	20-512 MHz
VSWR	$\leq 3.5:1$ (20-30 MHz) $\leq 2.6:1$ (30-100 MHz) $\leq 2.3:1$ (100-512 MHz)
Polarization	Vertical
Pattern	Omnidirectional in Azimuth; Cosinusoidal in Elevation
Impedance	50 Ω
Power Handling	40 Watts
Primary Power	+25 VDC, 0.8 AMP
Phase Tracking	$\pm 7^\circ$ max. (20-512 MHz)

Mechanical

Weight	3.0 lbs.
Height	14.00 in.
Length	16.48 in.
Width	4.50 in.
Material	6061 T6 Aluminum Alloy / Fiberglass
Finish	Skydrol Resistant Enamel
Connector	TNC Female
Drag	2.0 lbs @ M.85 @ 35,000 ft.

Environmental

Temperature	-54°C (-65°F) to +71°C (+160°F)
Altitude	50,000 ft.
Vibration	± 10 G's
Shock	30 G's
Side Load	6 PSI



Please Note: For REFERENCE ONLY
Contact Sensor Systems for latest drawing



A HEICO COMPANY

Website: www.sensorantennas.com

Phone: 818-341-5366