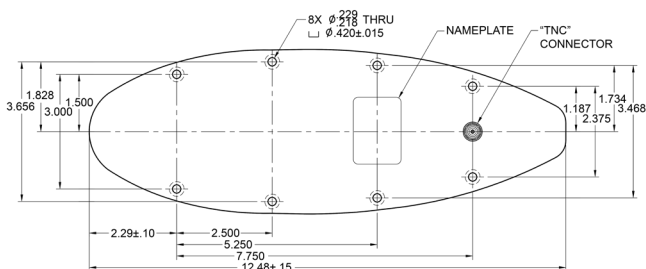
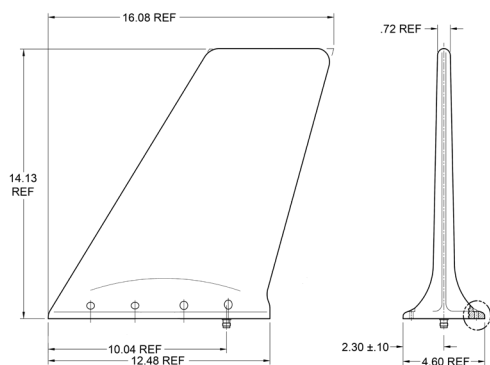


# VHF/UHF S65-8282-298



## Description

This short, wide-band antenna operates at the frequency range of 20 to 1000 MHz. The **S65-8282-298** antenna has high power capability and is aerodynamically designed to allow the use of the antenna at high speeds with low drag.

The antenna features a composite radome with an aluminum baseplate and is lightweight. The broadband operational frequency enables use with VHF/UHF systems.

## Federal & Military Certifications:

DO-160, MIL-A-9094A, MIL-E-5272C, MIL-HDBK-5400, MIL-STD-810C and MIL-STD-877.

## Specifications

### Electrical

Frequency	20-1000 MHz
VSWR	≤3.0:1
Polarization	Vertical
Pattern	Omnidirectional in Azimuth Cosinusoidal in Elevation
Impedance	50 Ω
Power	250 Watts

### Mechanical

Weight	3.2 lbs.
Height	14.13 in.
Length	12.48 in.
Width	4.60 in.
Material	6061-T6 Aluminum Alloy Base / Fiberglass
Finish	Skydrol Resistant Polyurethane Enamel
Connector	TNC Female

### Environmental

Temperature (Operating)	-55°C (-67°F) to +85°C (+185°F)
Altitude	70,000 ft.

Please Note: For REFERENCE ONLY  
Contact Sensor Systems for latest drawing



A HEICO COMPANY

Website: [www.sensorantennas.com](http://www.sensorantennas.com)

Phone: 818-341-5366