

Satcom S65-8282-301



Description

This low gain Satcom antenna provides LHCP and RHCP Satcom communications in one package.

The **S65-8282-301** antenna is designed to be used with US military Blue Force Tracking Systems. The small aerodynamic blade is optimized for both rotor wing and fixed wing installations.

Federal & Military Certifications:

DO-160D, MIL-HDBK-5400 and MIL-STD-810C.

Specifications

Electrical

Frequency	Receive: 1530-1559 MHz Transmit: 1626.5-1660.5 MHz
VSWR	≤1.5:1
Gain	≥-2 dBic @ $-20^\circ \leq \Theta \leq +20^\circ$ ≥ 0 dBic @ $+20^\circ < \Theta \leq +78^\circ$ ≥ 0 dBic @ $-20^\circ > \Theta \geq -78^\circ$ 0° = Zenith
Polarization	J1: LHCP J2: RCHP
Impedance	50 Ω
Power	60 Watts CW
Axial Ratio	6 dBic Max @ $-30^\circ \leq \Theta \leq +30^\circ$ 10 dBic Max @ $+30^\circ < \Theta \leq +78^\circ$ 10 dBic Max @ $-30^\circ > \Theta \geq -78^\circ$

Mechanical

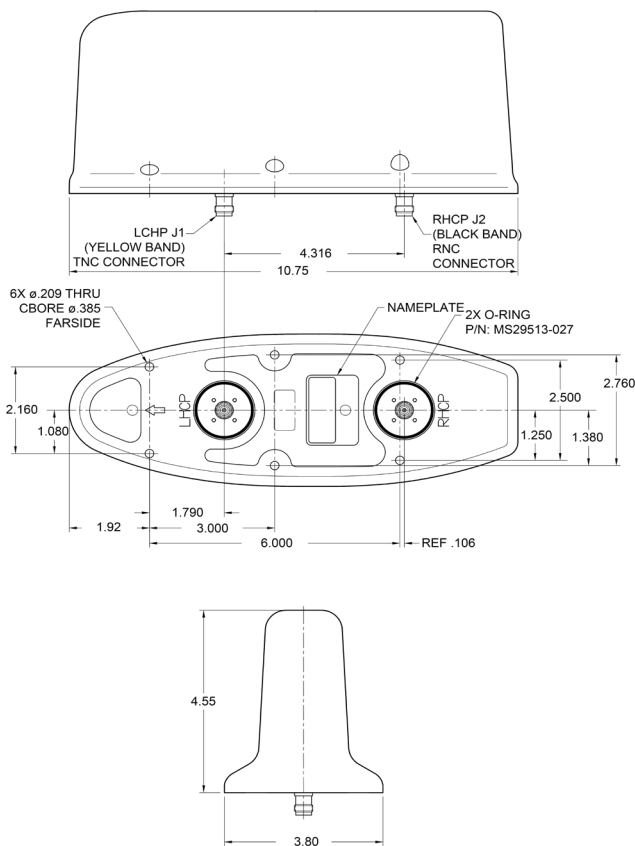
Weight	1.7 lbs.
Height	4.55 in.
Length	10.70 in.
Width	3.80 in.
Material	Aluminum Alloy 6061-T6
Finish	Skydrol Resistant Polyurethane Enamel
Connector	TNC Female (2x)

Environmental

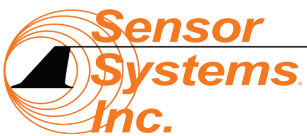
Temperature (Operating)	-55°C (-65°F) to +85°C (+185°F)
Altitude	70,000 ft.

Accessories

O-ring	MS29513-027 (2x)
--------	------------------



Please Note: For REFERENCE ONLY
Contact Sensor Systems for latest drawing



A HEICO COMPANY

Website: www.sensorantennas.com

Phone: 818-341-5366