

VHF/UHF/L-Band S65-8282-323



Description

S65-8282-323: VHF/UHF/AM/FM & L-Band antenna designed for speeds greater than Mach 1.0. Provides low VSWR over operating bands of 30-88 / 108-174, 225-400 I 960-1220 MHz. Hermetically-sealed and DC-grounded with six-hole bolt pattern, designed for universal mounting. Interchangeable with Collins 37R-2U and similar antennas.

NSN: 1680-01-587-7928

FEDERAL & MILITARY SPECS: DO-160A, TSO-C37d, TSO-C38d, TSO-C74c, TSO-C59, TSO-C112, MIL-A-7772, MIL-E-5272, MIL-STD-188-203-1A, LINK 11 A/8.

Specifications

Electrical

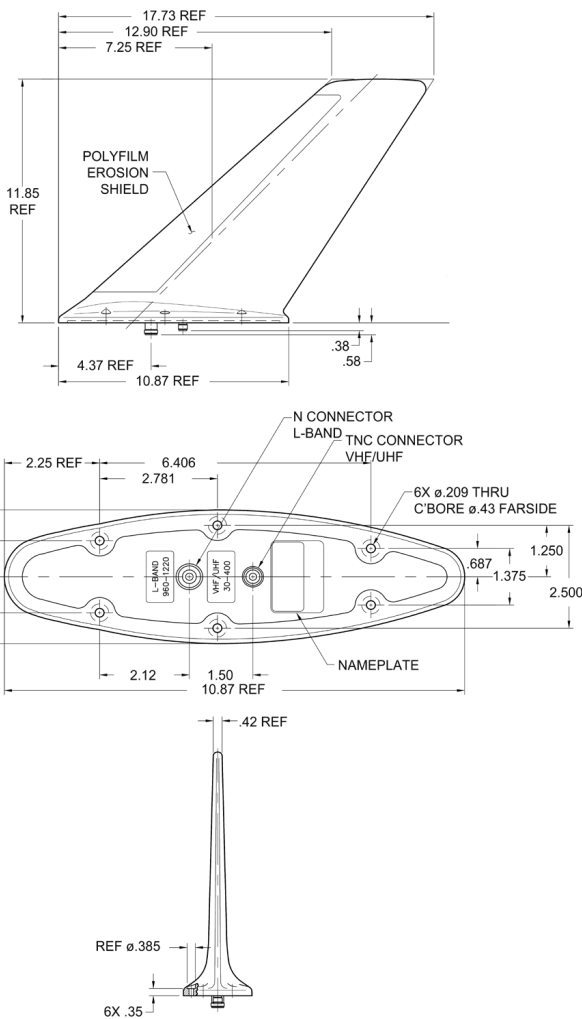
Frequency	30 - 88 MHz (VHF/FM) 108 - 174 MHz (VHF/AM) 225 - 400 MHz (UHF) 960 - 1220 MHz (L-Band) 1030 - 1090 MHz (L-Band)
VSWR	≤ 2.6:1 ; 30 - 88 MHz (VHF/FM) ≤ 2.3:1 ; 108 - 174 MHz (VHF/AM) ≤ 2.3:1 ; 225 - 400 MHz (UHF) ≤ 2.0:1 ; 960 - 1220 MHz (L-Band) ≤ 1.5:1 ; 1030 - 1090 MHz (L-Band)
Pattern	Omnidirectional in Azimuth Cosinusoidal in Elevation
Polarization	Vertical
Impedance	50 Ω
Power	110 Watts (50% Duty Cycle) ; VHF/FM & VHF/AM 130 Watts (100% Duty Cycle) ; UHF 4000 Watts Peak ; L-Band

Mechanical

Weight	2.5 lbs.
Height	11.85 in.
Width	3.25 in.
Material	A356-T61 Aluminum Alloy / Fiberglass
Finish	Skydrol Resistant Enamel
Connector	TNC Female N Female
Drag	1.0 lb. Mach .85 @ 35,000 ft.

Environmental

Temperature	-55°C (-67°F) to +85°C (+185°F)
Altitude	60,000 ft.



Please Note: For REFERENCE ONLY
Contact Sensor Systems for latest drawing



A HEICO COMPANY



Website: www.sensorantennas.com



Phone: 818-341-5366