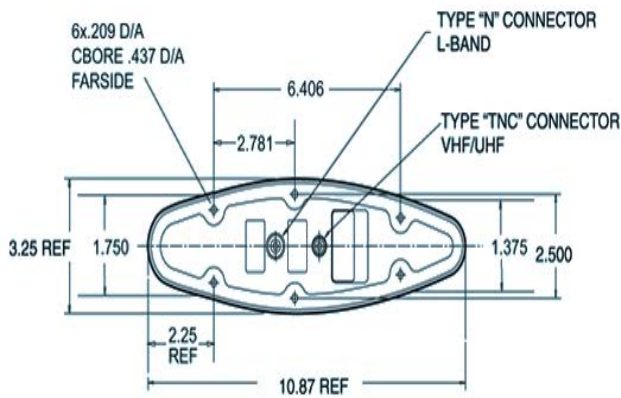
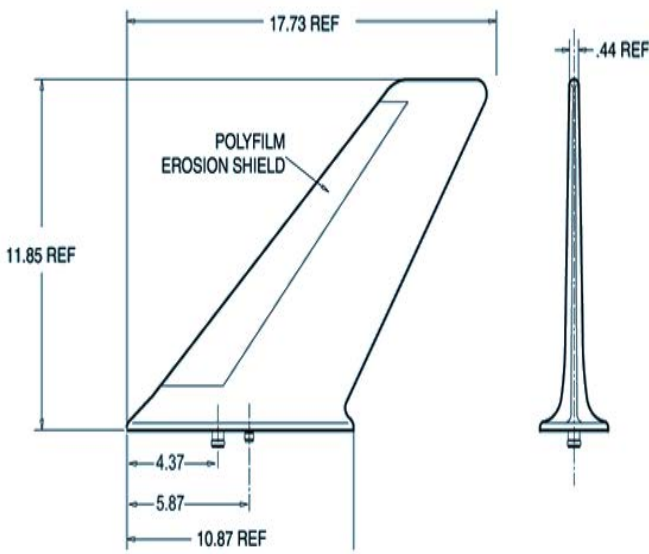


# VHF/UHF/L-Band S65-8282-330



Please Note: For REFERENCE ONLY  
Contact Sensor Systems for latest drawing

## Description

**S65-8282-330:** High-power VHF/UHF/AM/FM and L-Band blade antenna capable of operating at 100 watts. Low-drag blade design for speeds up to Mach 1. Provides low VSWR over the operating band. The 6-hole bolt pattern is designed for universal mounting and is interchangeable with Collins 37 R-2U or similar antennas. Hermetically-sealed and DC-grounded. Ideal for use in antenna replacement when a multi-frequency antenna is required.

**FEDERAL & MILITARY SPECS:** DO-160A, MIL-A-7772, MIL-E-5272, MIL-E-5400.

## Specifications

### Electrical

Frequency	30-88 MHz (VHF/FM) 108-174 MHz (VHF/AM) 225-512 MHz (UHF) 960-1220 MHz (L-Band)
VSWR	≤ 2.6:1 (30-88 MHz) ≤ 2.3:1 (108-174 MHz) ≤ 2.3:1 (225-400 MHz) ≤ 2.6:1 (400-512 MHz) ≤ 2.0:1 (960-1030 MHz) ≤ 1.5:1 (1030-1090 MHz) ≤ 2.0:1 (1090-1220 MHz)
Pattern	Omnidirectional in Azimuth Cosinusoidal in Elevation
Polarization	Vertical
Impedance	50 Ω
Power	100 Watts, 50% Duty Cycle (VHF) 100 Watts Continuous (UHF) 4000 Watts, Peak (L-Band)
Gain (Avg.)	-19 dBi (30-88 MHz) -3 dBi (108-174 MHz) +1 dBi (225-512 MHz) +1 dBi (960-1220 MHz)

### Mechanical

Weight	2.1 lbs.
Height	11.85 in.
Material	A356-T61 Aluminum Alloy / Fiberglass
Finish	Skydrol Resistant Enamel
Connector	TNC Female (VHF/UHF) N Female (L-Band)
Drag	M.85 @ 35,000 ft. = 1.0 lbs.

### Environmental

Temperature	-55°C (-67°F) to +85°C (+185°F)
Altitude	60,000 ft.



A HEICO COMPANY



Phone: 818-341-5366