

VHF/UHF S65-8282-397



Description

S65-8282-397: High speed, low drag, multifunction antenna. The broadband operational frequency enables use with VHF/UHF systems. This antenna is used as a replacement for the legacy S65-8282-78 and S65-8282-98; when phase matching is not required.

FEDERAL & MILITARY SPECS: RTCA DO-160G, MIL-A-7772B, MIL-A-9094A, MIL-E-5272C, MIL-HDBK-5400H, and MIL-STD-810.

Specifications

Electrical

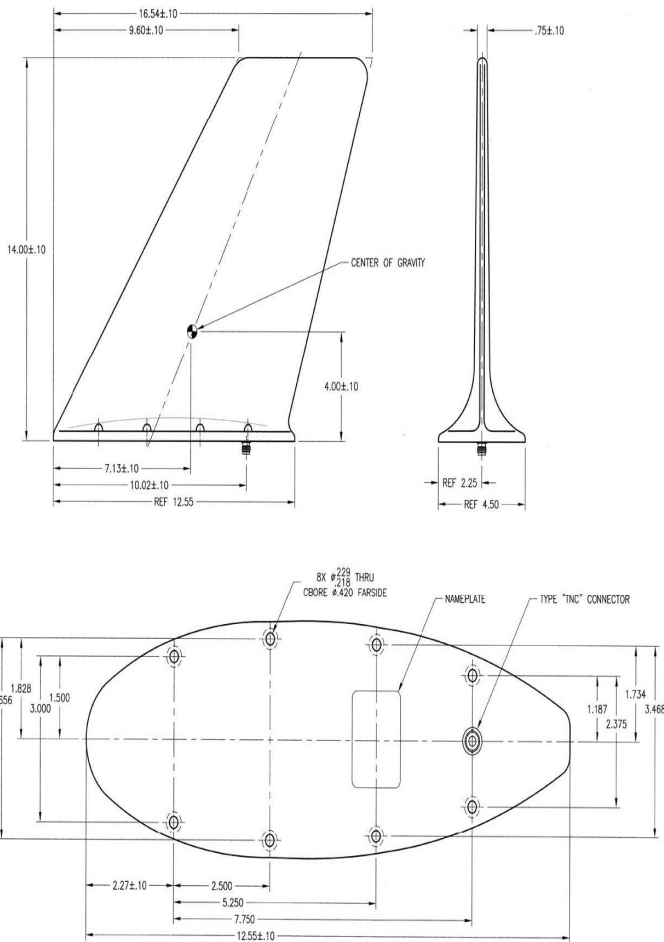
Frequency	20-512 MHz
VSWR	$\leq 3.0:1$ (20 - 30 MHz) $\leq 2.6:1$ (30 - 100 MHz) $\leq 2.3:1$ (100-512 MHz)
Polarization	Vertical
Pattern	Omnidirectional in Azimuth Cosinusoidal in Elevation
Impedance	50 Ω
Power Handling	40 Watts

Mechanical

Weight	3.0 lbs.
Height	14.00 in.
Length	16.54 in.
Width	4.50 in.
Material	6061-T6 Aluminum Alloy / Fiberglass
Finish	Skydrol Resistant Enamel
Connector	TNC Female
Drag	2.0 lbs. Mach .85 @ 35,000 ft.

Environmental

Temperature	-55°C (-67°F) to +85°C (+185°F)
Altitude	70,000 ft.



Please Note: For REFERENCE ONLY
Contact Sensor Systems for latest drawing



A HEICO COMPANY

Website: www.sensorantennas.com

Phone: 818-341-5366