

L1/L2 Passive GPS FRPA/M-Code **S67-1575-714**



Description

This dual-band L1/L2 passive GPS antenna was designed with a VSWR of 2.0:1. The spherical radius molded radome provides enhanced protection against rain, ice and lightning strikes.

The **S67-1575-714** antenna is qualified for high speed military aircraft and dual frequency surveying applications. The dual-band GPS antenna is capable of receiving the M-code, C/A and Y legacy codes.

Federal & Military Certifications:

DO-160G, MIL-HDBK-5400, MIL-STD-810C/D and SAE ARP5416.

Specifications

Electrical

Frequency	L1: 1575±12 MHz L2: 1227±12 MHz
VSWR	≤2.0:1
Gain	>-1 dBic @ Zenith
Polarization	RHCP
Impedance	50 Ω
Power Handling	1 Watt
Axial Ratio	≤3.0 dB @ Zenith

Mechanical

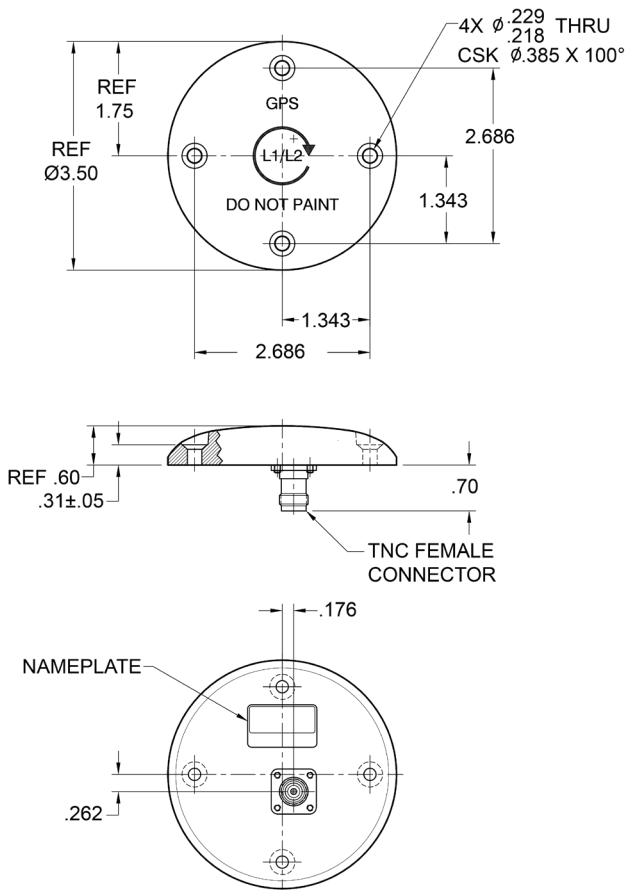
Weight	6 oz.
Height	.60 in.
Diameter	3.50 in.
Material	6061-T6 Aluminum Alloy / Thermoset Plastic
Finish	Skydrol Resistant Polyurethane Enamel
Connector	TNC Female

Environmental

Temperature (Operating)	-62°C (-80°F) to +71°C (+160°F)
Altitude	55,000 ft.

Accessories

Conductive Gasket	MS24693C274
Mounting Screws	S67-200229



Please Note: For REFERENCE ONLY
Contact Sensor Systems for latest drawing



A HEICO COMPANY

Website: www.sensorantennas.com

Phone: 818-341-5366