

UHF S65-1016-420



Description

S65-1016-420: Vertically polarized, swept-back UHF blade. Designed for military command system frequencies of 420-450 MHz. High-strength aluminum die casting. Intended for speeds up to Mach 2.0 with low drag. DC grounded to provide lightning protection. Four-hole bolt pattern. Hermetically sealed.

Federal & Military Certifications: MIL-HDBK-5400, MIL-STD-810

Specifications

Electrical

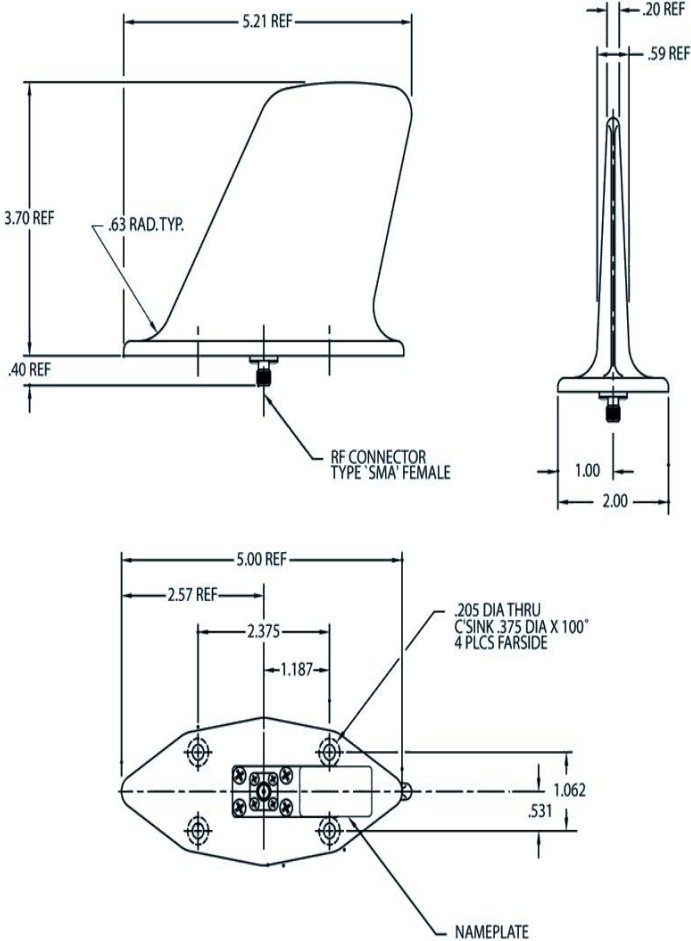
Frequency	420-450 MHz
VSWR	≤ 2.5:1
Polarization	Vertical
Pattern	1/4 Wave Monopole
Impedance	50 Ω
Power	100 Watts Average

Mechanical

Weight	9 oz.
Height	3.70 in.
Length	5.00 in.
Width	2.00 in.
Material	A356 Aluminum Casting
Finish	Skydrol Resistant Enamel SMA
Connector	Female
Drag	<0.5 lbs. Mach .85 @ 35,000 ft.

Environmental

Temperature	-54°C (-65°F) to +85°C (+185°F)
Altitude	70,000 ft.



Please Note: For REFERENCE ONLY
Contact Sensor Systems for latest drawing



A HEICO COMPANY

Website: www.sensorantennas.com

Phone: 818-341-5366