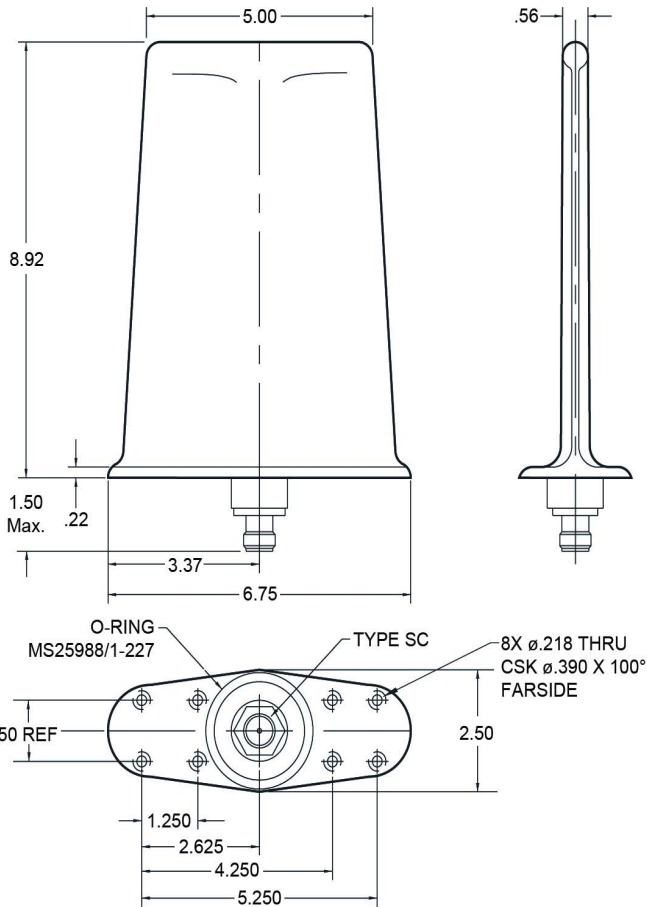


# UHF S65-1024



Please Note: For REFERENCE ONLY  
Contact Sensor Systems for latest drawing

## Description

This is high-powered UHF, receive-only antenna is made from aluminum casting. The antenna is internally supported to offer maximum side loading effect and resistance to extreme temperatures.

The **S65-1024** antenna is hermetically sealed for a long service life and highly resistant to erosion.

The antenna is compatible with AWACS UHF communications.

## Federal & Military Certifications:

MIL-DTL-5541 and MIL-E-5400.

## Specifications

### Electrical

Frequency	225-400 MHz
VSWR	2.0:1
Gain	$\geq 0$ dBi (Avg. to $\pm 15^\circ$ ) 7 dB (Min. gain within 7 dB of avg. or med.)
Polarization	Vertical $\pm 15^\circ$
Pattern	360° Azimuth, $\pm 15^\circ$ Elevation
Noise Threshold	225-400 MHz: -130 DBM 400 KC B.W.
Efficiency	>85%
Roll Off	60 dB/decade below 225 MHz
EMP Protection	Yes

### Mechanical

Weight	2.5 lbs.
Height	8.92 in.
Length	6.75 in.
Width	2.50 in.
Finish	Polyurethane Enamel
Connector	SC Female
Drag	<4.5 lbs. M=.85 @ 25,000 ft.

### Environmental

Temperature	-55°C (-67°F) to + 85°C (+185°F)
Altitude	55,000 ft.



A HEICO COMPANY

Website: [www.sensorantennas.com](http://www.sensorantennas.com)

Phone: 818-341-5366