

# Ku Band S65-1400



## Description

**S65-1400:** Ku band antenna operating from 14.4 to 15.5 GHz. Intermediate gain fixed phase array antenna designed for airborne use. All metal 4 inch blade design provides 6dB gain with omnidirectional pattern. TNC female connector.

**Federal & Military Certifications:** MIL-STD-810

## Specifications

### Electrical

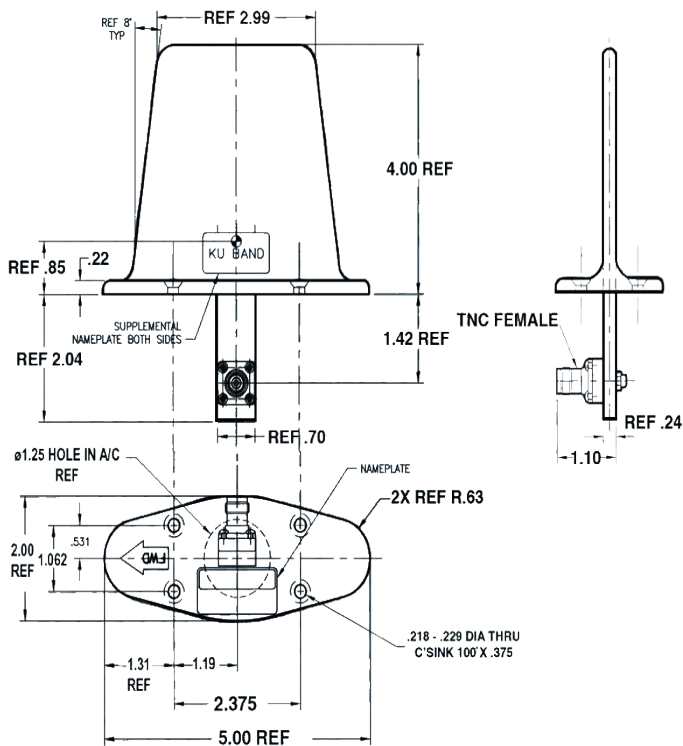
Frequency	14.4-15.5 GHz
VSWR	≤2.0:1
Polarization	Horizontal
Pattern	Horizontal Omnidirectional in Azimuth
Power	100 Watts CW
Gain (Peak) Beam	5-8 dBi
Beam Width	-5° to ± 15° Horizon

### Mechanical

Weight	8 oz.
Height	4.00 in.
Width	2.00 in.
Material	Aluminum Alloy
Finish	Skydrol Resistant Polyurethane Enamel
Connector	TNC Female

### Environmental

Temperature (Operating)	-55°C (-67°F) to +70°C (+158°F)
Altitude	-100 to 55,000 ft.



**Note: For Reference Only.**  
Contact Sensor Systems for the latest engineering drawings.

Please Note: For REFERENCE ONLY  
Contact Sensor Systems for latest drawing



A HEICO COMPANY

Website: [www.sensorantennas.com](http://www.sensorantennas.com)

Phone: 818-341-5366